

# HSF

**NOTES:**

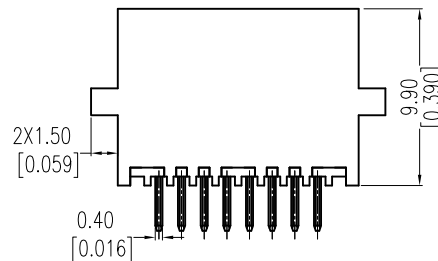
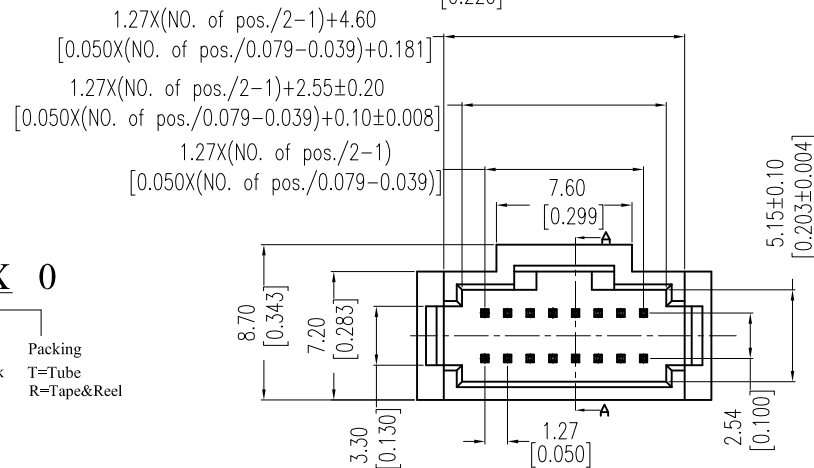
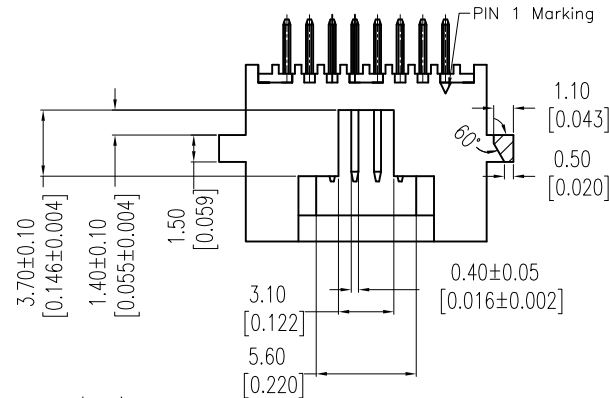
Current Rating:1AMP  
 Contact Resistance:30mΩ max  
 Withstand Voltage:250V AC/DC  
 Insulation Resistance:1000MΩ min  
 Operation Temperature:-40°C to +105°C

Contact Material:Phosphor Bronze(C5191-H)  
 Contact plating:Au Or Sn Over Ni  
 Insulator Material:PA9T+33%GF(UL94V-0)

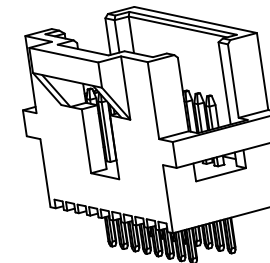
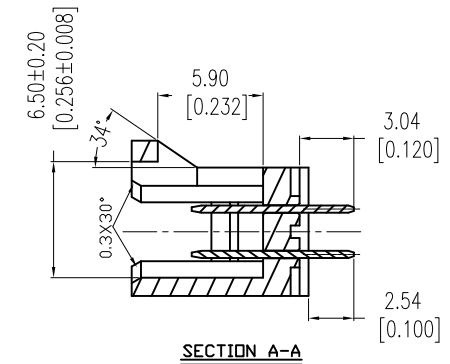
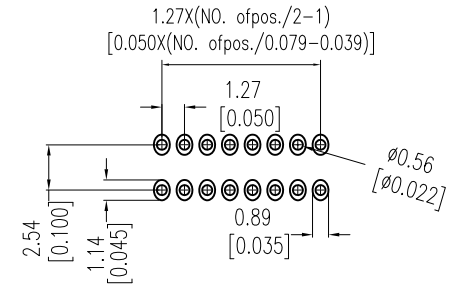
## Ordering Information

WF1271 - 2WSH **XX** **B** **X** **0**

No. of pins Per Row 04-50P	Contact Plating	Color B=Black	Packing T=Tube R=Tape&Reel
	S0=Gold Flash/Tin S3=10u"Gold/Tin S4=15u"Gold/Tin S5=30u"Gold/Tin G0=Gold Flash G3=10u"Gold G4=15u"Gold G5=30u"Gold Blank=Tin		



### Recommended P.C.B Layout (Top Side) (PCB BOARD TOLERANCE ± 0.05)



REV	DATE	MODIFICATION DESCRIPTION	CHANGE	OPERATION		DRAW	DATE	SCALE	FIT	PART NO.
				X.X	±0.40					
				X.XX	±0.25	Ding	2017/01/09	UNIT	mm	WF1271-2WSHXXBX0
				X.XXX	±0.15	CHECK	DATE	SIZE	A4	
A0	2017/01/09	NEW		Angle	± 3'	APPROVE	DATE	SHEET	1/1	TITLE: 1.27*2.54 Wafer 180° DIP H=9.90 W/O LOGO W/T Ear (Without Fixing Hardware)
				DIM	TOL			PROJ.	Customer NO.	