

■ 技术参数 SPECIFICATIONS

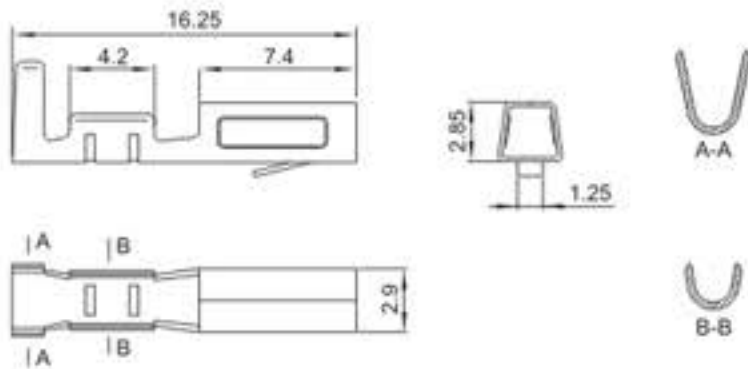
- 线数 (Poles) : 1、2、3
- 适用线规 (Applicable wires) : AWG24#~18#
- 适应基板厚度 (Applicable PC board thickness) : 1.6mm
- 温度范围 (Temperature range) : -25℃~85℃
- 额定电压 (Voltage rating) : 250V.Ac/Dc
- 额定电流 (Current rating) : 7A
- 接触电阻 (Contact resistance) : $\leq 0.01\Omega$
- 绝缘电阻 (Insulation resistance) : $\geq 1000M\Omega$
- 耐压 (Withstand voltage) : 1500V.Ac/1min
- 材料 (Material) :
 - 孔座 (Housing) : 尼龙 (PA66) UL94V-2(0)
 - 针座 (Wafer) : 尼龙 (PA66) UL94V-2(0)
 - 端子 (Terminal) : 磷青铜 (Phos.bronze Tin/plated)

端子 TERMINAL (Cy-X201)

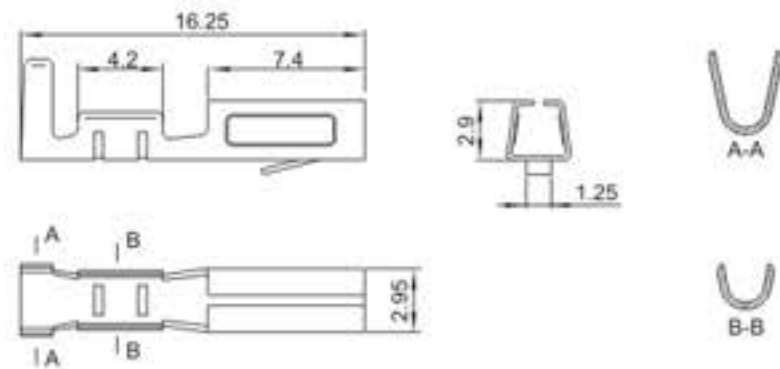
型号 Type	适用线规 Applicable wires		电线外径 O.D of wire ins mm	数量 Quantity
	mm ²	AWG#		
HX82001-PTA	0.2~0.75	24~18	1.3~3.2	4000PCS/盘
HX82001-PTB	0.2~0.75	24~18	1.3~3.2	4000PCS/盘

- 注：此产品可根据客户选择：红、黑、黄、蓝、白、灰、棕、橙、粉红等颜色。
- Note: colors of products can be selected upon client's need in red, black, yellow, blue, white, grey, brown, orange, pink etc.

HX82001-PTA (Cy-X201- $\phi 2.1$)



HX82001-PTB (Cy-X201- $\phi 2.3$)



线数 (Poles)	孔座 (Housing)	针座 (Wafer)	针座 (Wafer)
1	<p>HX82001-1Y (Cy-X201)</p>	<p>HX82002-1A-$\phi 2.1$ (Cy-X201)</p>	<p>HX82002-1A-$\phi 2.3$ (Cy-X201)</p>