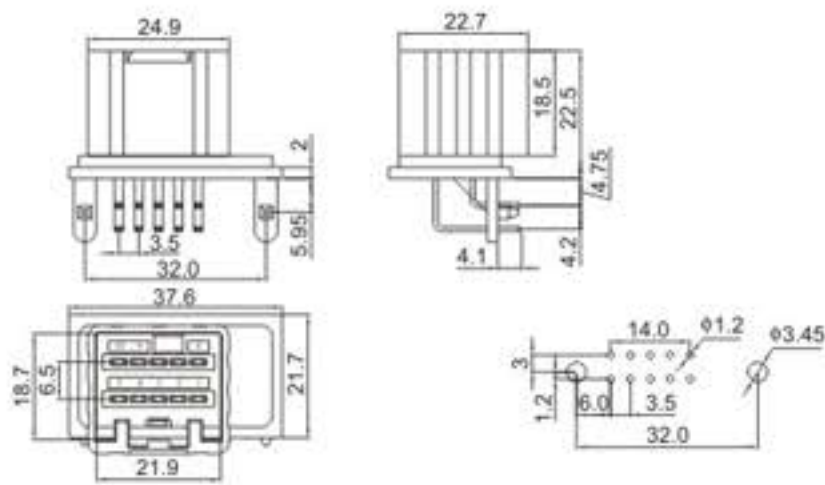


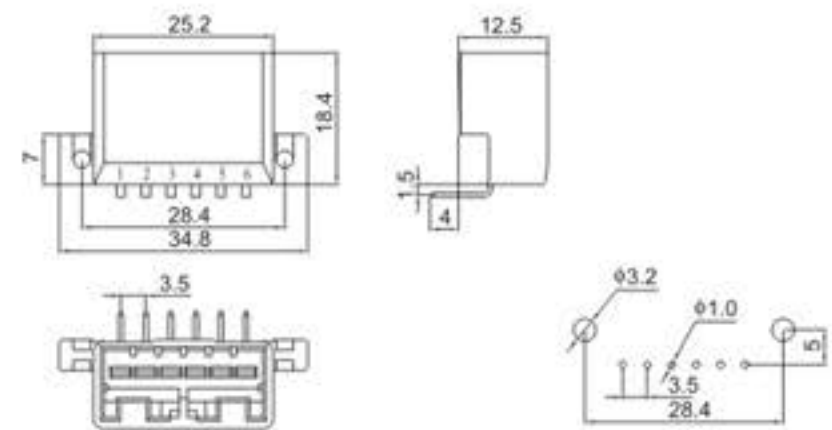
技术参数 SPECIFICATIONS

- 适应基板厚度 (Applicable PC board thickness) : 1.6~2.0mm
- 温度范围 (Temperature range) : -25℃~85℃
- 额定电压 (Voltage rating) : 300V.Ac/Dc
- 额定电流 (Current rating) : 15A
- 接触电阻 (Contact resistance) : $\leq 0.015\Omega$
- 绝缘电阻 (Insulation resistance) : $\geq 1000M\Omega$
- 耐压 (Withstand voltage) : 1500V.Ac/1 min
- 材料 (Material) :
 针座 (Wafer) : 尼龙 (Nylon) UL94V-2(0)
 PP0 UL94V-0

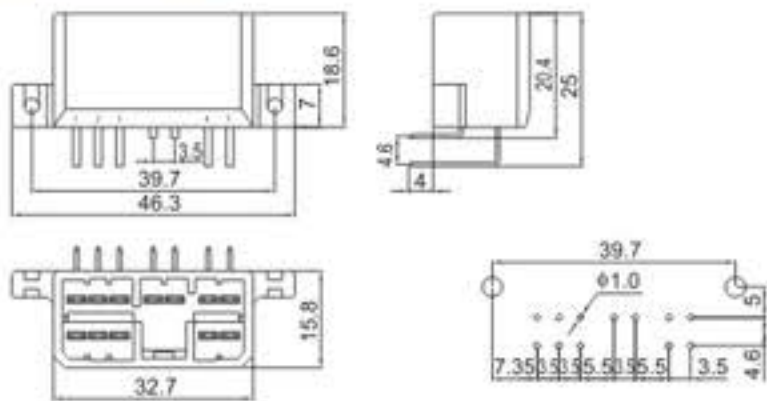
HX35010-10WA (7382-6379-30)



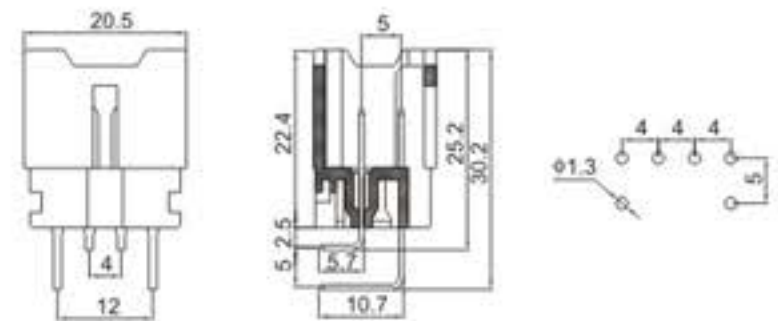
HX35012-6WA (175783-1)



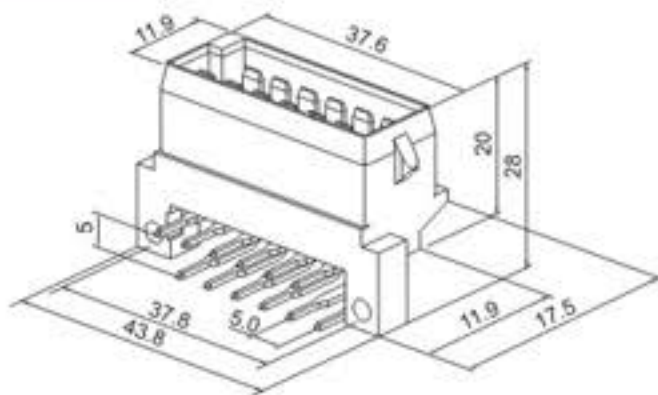
HX35016-12WA (173858-1)



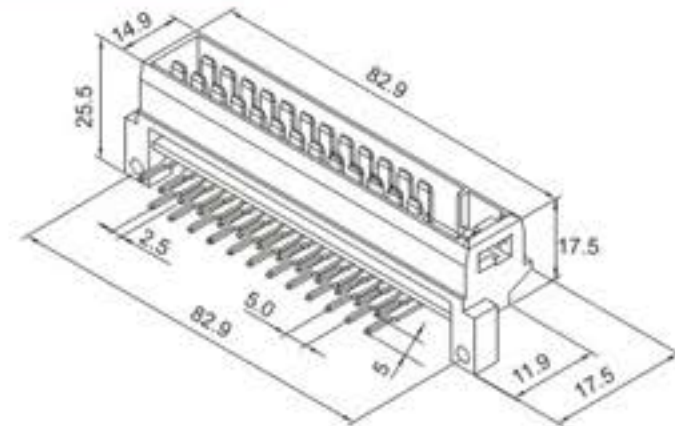
HX40012-6WA (MG640743-5)



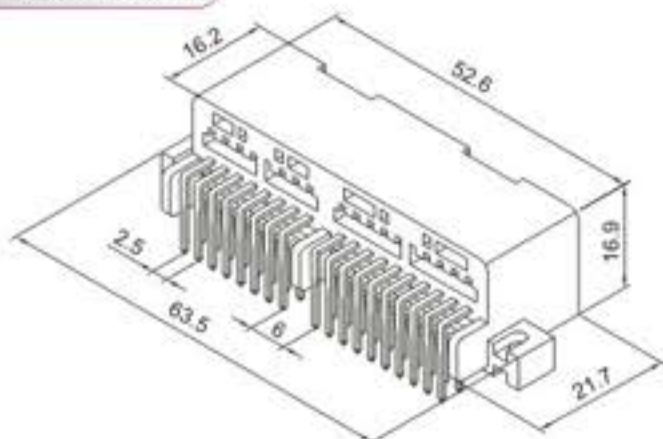
HX827229-12WA (827229-1)



HX826195-25WA (826195-1)



HX174146-36WA (174146-1)



安装尺寸 (1.6~2.0mm)

