



# PARA LIGHT ELECTRONICS CO., LTD.

11F., No. 8, Jiankang Rd., Zhonghe Dist., New Taipei City 235, Taiwan,

Tel: 886-2-2225-3733

Fax: 886-2-2225-4800

E-mail: [para@para.com.tw](mailto:para@para.com.tw)

[www.paralighttaiwan.com](http://www.paralighttaiwan.com)

## DATA SHEET

PART NO.: L-C195JRWDT-5A

REV: A / 3

CUSTOMER'S APPROVAL: \_\_\_\_\_

DCC: \_\_\_\_\_

DRAWING NO.: DS-78-14-0009

DATE:2018-4-23

PAGE

1 of 15

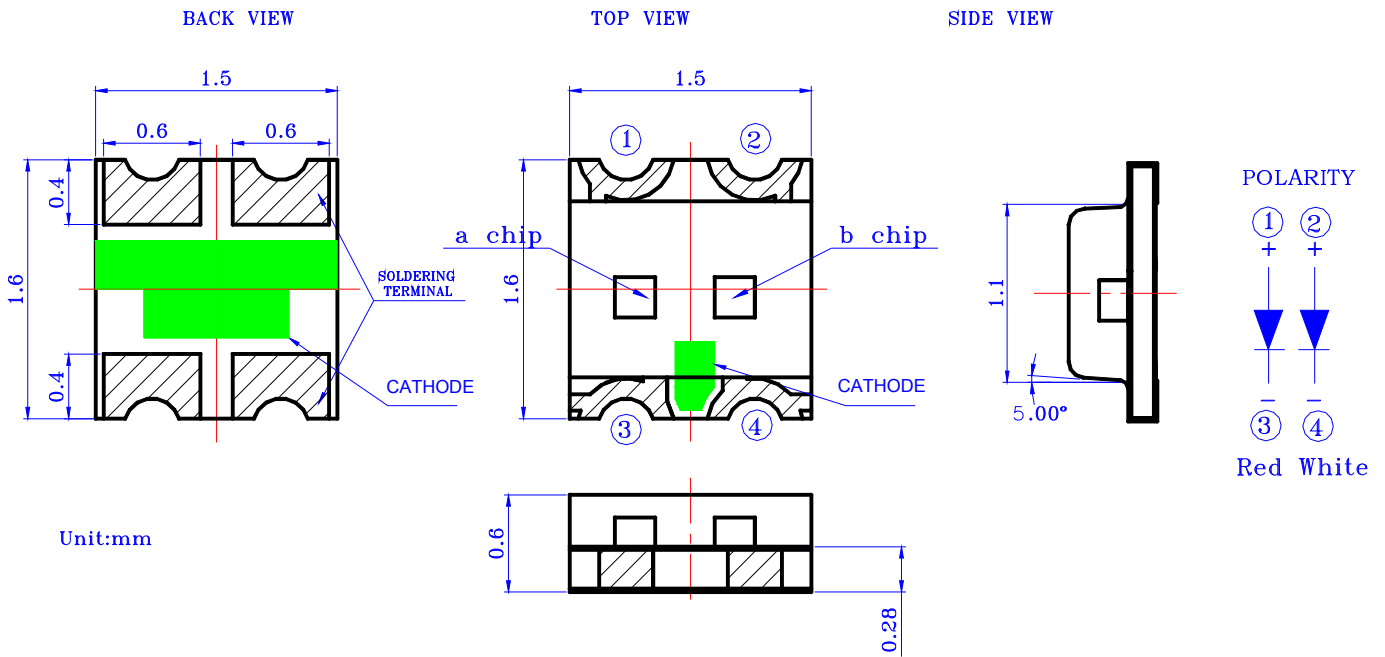


# SURFACE MOUNT DEVICE LED

Part No.: L-C195JRWDT-5A

REV:A / 3

## ● PACKAGE OUTLINE DIMENSIONS



Notes:

1. a chip: Red; b chip: White
2. All dimensions are in millimeters.
3. Tolerance is  $\pm 0.1\text{mm}$  (.004") unless otherwise noted.

## ● Features

- \* Dual color, top view, wide view angle Chip LED.
- \* Package in 8mm tape on 7" diameter reels.
- \* Compatible with automatic Pick & Place equipment.
- \* Compatible with Reflow soldering and Wave soldering processes.
- \* EIA STD package.
- \* I.C. compatible.
- \* Pb free product.



# SURFACE MOUNT DEVICE LED

Part No.: L-C195JRWDT-5A

REV:A / 3

## ● Chip Materials

Chip	Light Color	Dice Material	Lens Color
a	JR: Red	AlInGap	Yellow Diffused
b	W: White	InGaN	

## ● Absolute Maximum Ratings (Ta=25°C)

Symbol	Parameter	Rating		Unit
		Red	White	
P <sub>D</sub>	Power Dissipation	75	100	mW
I <sub>PF</sub>	Peak Forward Current (1/10 Duty Cycle, 0.1ms Pulse Width)	80	100	mA
I <sub>F</sub>	Continuous Forward Current	25	25	mA
-	De-rating Linear From 25°C	0.25	0.25	mA/°C
V <sub>R</sub>	Reverse Voltage	5	5	V
ESD	Electrostatic Discharge Threshold (HBM) <sup>Note A</sup>	2000	1000	V
Topr	Operating Temperature Range	-40 ~ +85		°C
Tstg	Storage Temperature Range	-40 ~ +85		°C
-	Wave Soldering Condition (Two times Max.)	260 (for 5 seconds)		°C

Note A:

HBM: Human Body Model. Seller gives no other assurances regarding the ability of to withstand ESD.

## ● Electro-Optical Characteristics (Ta=25°C)

SYMBOL		PARAMETER	TEST CONDITION	MIN.	TYP.	MAX.	UNIT
V <sub>F</sub>	White	Forward Voltage	I <sub>F</sub> = 5mA		2.9	3.0	V
	Red				1.8	2.4	
I <sub>V</sub>	White	Luminous Intensity	I <sub>F</sub> = 5mA	45	65		mcd
	Red			11.2	15		
X	White	CIE Chromaticity	I <sub>F</sub> = 5mA		0.28		
Y	White	CIE Chromaticity	I <sub>F</sub> = 5mA		0.25		
2θ <sub>1/2</sub>		Half Intensity Angle	I <sub>F</sub> = 5mA		130		deg
λ <sub>D</sub>	Red	Dominant Wavelength	I <sub>F</sub> = 5mA		630		nm
λ <sub>p</sub>	Red	Peak Emission Wavelength	I <sub>F</sub> = 5mA		641		nm
Δλ	Red	Spectral Line Half-Width	I <sub>F</sub> = 5mA		19		nm
I <sub>R</sub>	White	Reverse Current	V <sub>R</sub> = 5V			50	μA
	Red					10	



# SURFACE MOUNT DEVICE LED

Part No.: L-C195JRWDT-5A

REV:A / 3

Notes:

1. Luminous intensity is measured with a light sensor and filter combination that approximates the CIE eye-response curve.
2.  $\theta_{1/2}$  is the off-axis angle at which the luminous intensity is half the axial luminous intensity.
3. The dominant wavelength  $\lambda_d$  is derived from the CIE chromaticity diagram and represents the single wavelength which defines the color of the device.
4. Caution in ESD:  
Static Electricity and surge damages the LED. It is recommended use a wrist band or anti-electrostatic glove when handling the LED. All devices, equipment and machinery must be properly grounded.
5. Major standard testing equipment by "Instrument System" Model: CAS140B Compact Array Spectrometer and "KEITHLEY" Source Meter Model: 2400.

● Typical Electro-Optical Characteristics Curves

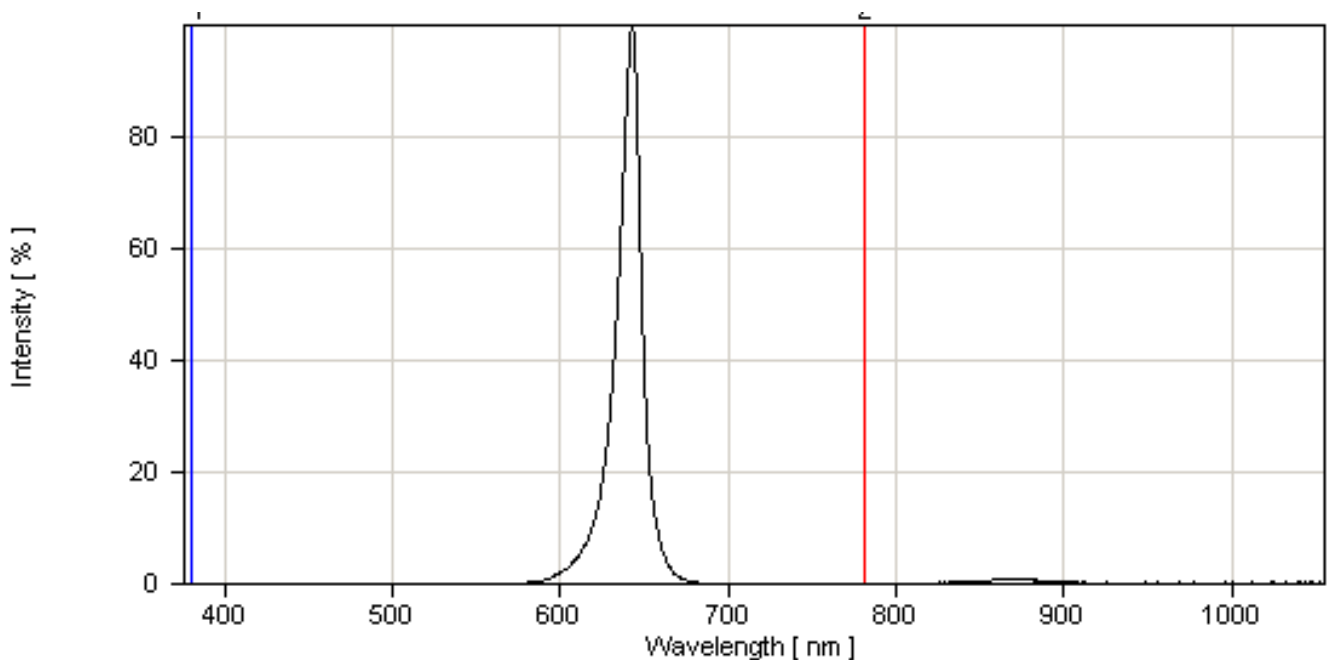


Fig.1 Red Relative Intensity vs. Wavelength



# SURFACE MOUNT DEVICE LED

Part No.: L-C195JRWDT-5A

REV:A / 3

## ● Red Typical Electro-Optical Characteristics Curves

(25°C Ambient Temperature Unless Otherwise Noted)

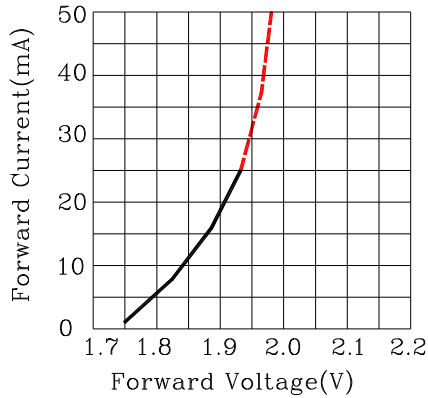


Fig.2 Forward Current vs. Forward Voltage

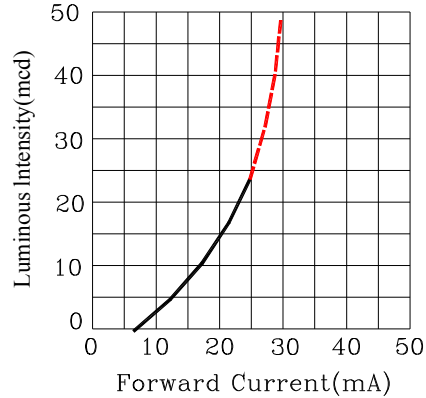


Fig.3 Luminous Intensity vs. Forward Current

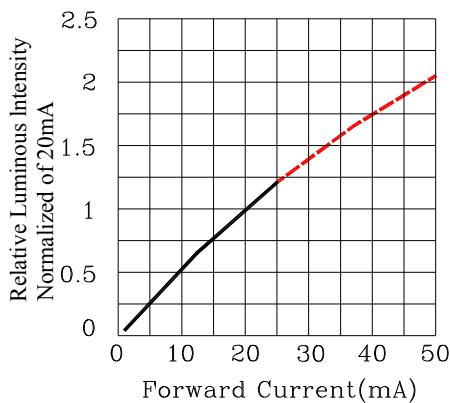


Fig.4 Relative Luminous Intensity vs. Forward Current

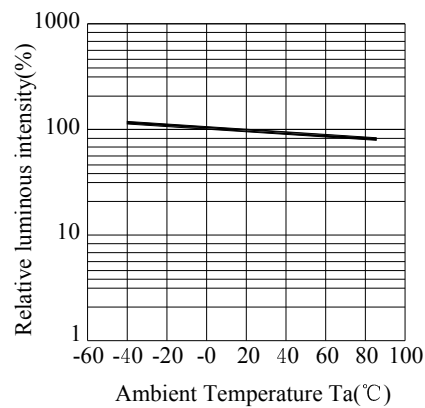


Fig.5 Luminous Intensity vs. Ambient Temperature

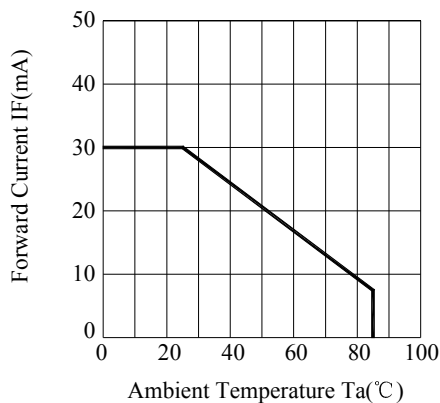


Fig.6 Forward Current Derating Curve

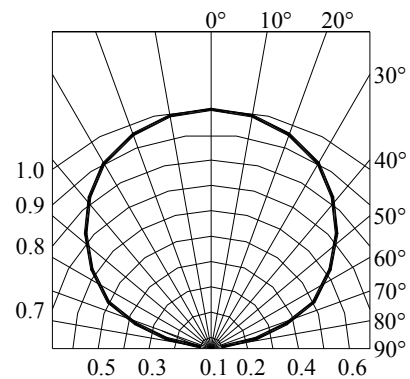


Fig.7 Relative Intensity vs. Angle



# SURFACE MOUNT DEVICE LED

Part No.: L-C195JRWDT-5A

REV:A / 3

## ● White Typical Electro-Optical Characteristics Curves

(25°C Ambient Temperature Unless Otherwise Noted)

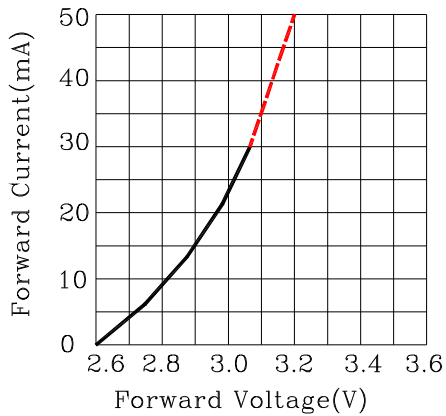


Fig.1 Forward Current vs. Forward Voltage

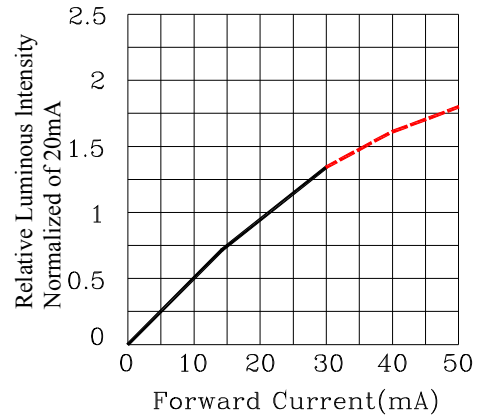


Fig.1 Relative Luminous Intensity vs. Forward Current

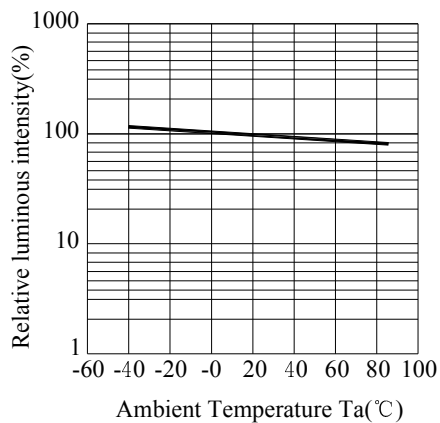


Fig.3 Luminous Intensity vs. Ambient Temperature

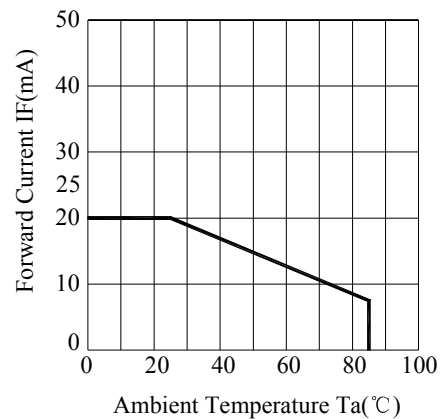


Fig.4 Forward Current Derating Curve

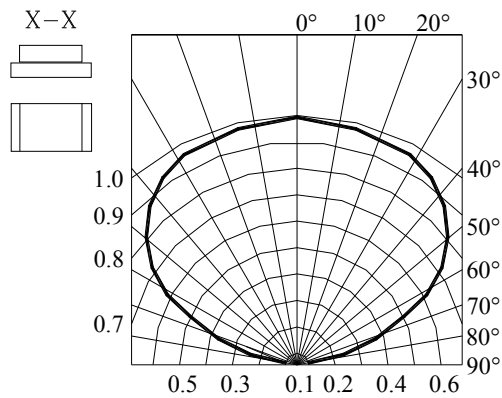


Fig.5 Relative Intensity vs. Angle

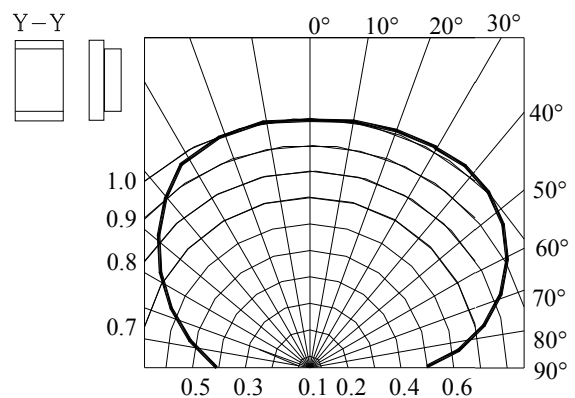


Fig.6 Relative Intensity vs. Angle



# SURFACE MOUNT DEVICE LED

Part No.: L-C195JRWDT-5A

REV:A / 3

## ● Label Explanation



ITEM CODE:PARRA LIGHT

PART NO: L-C195JRWDT-5A

IV --- Luminous Intensity Code

LOT NO: EM S L 12 09 0110  
          A    B    C    D    E    F

A---EM: Emos Code

B---S:SMD

L---Local

D---Year

E---Month

F---SPEC.

PACKING QUANTITY OF BAG :

3000pcs for 150、170、110、155、115 series

4000pcs for 191 series

5000pcs for 192 series

DATE CODE: 2012 09 10  
                  G    H    I

G--- Year

H--- Month

I --- Day

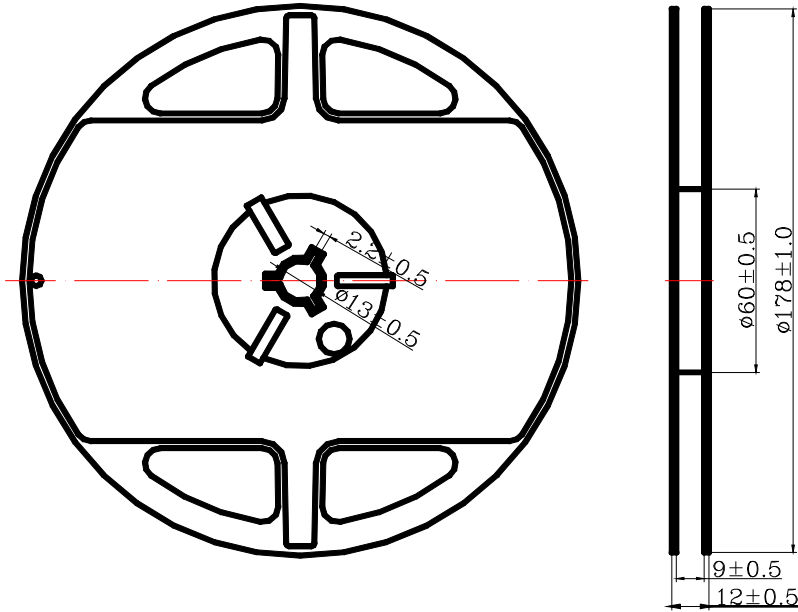


SURFACE MOUNT DEVICE LED

Part No.: L-C195JRWDT-5A

REV:A / 3

● Reel Dimensions



Notes:

1. Taping Quantity: 3000pcs
2. The tolerances unless mentioned is  $\pm 0.1\text{mm}$ , Angle  $\pm 0.5^\circ$  , Unit: mm.



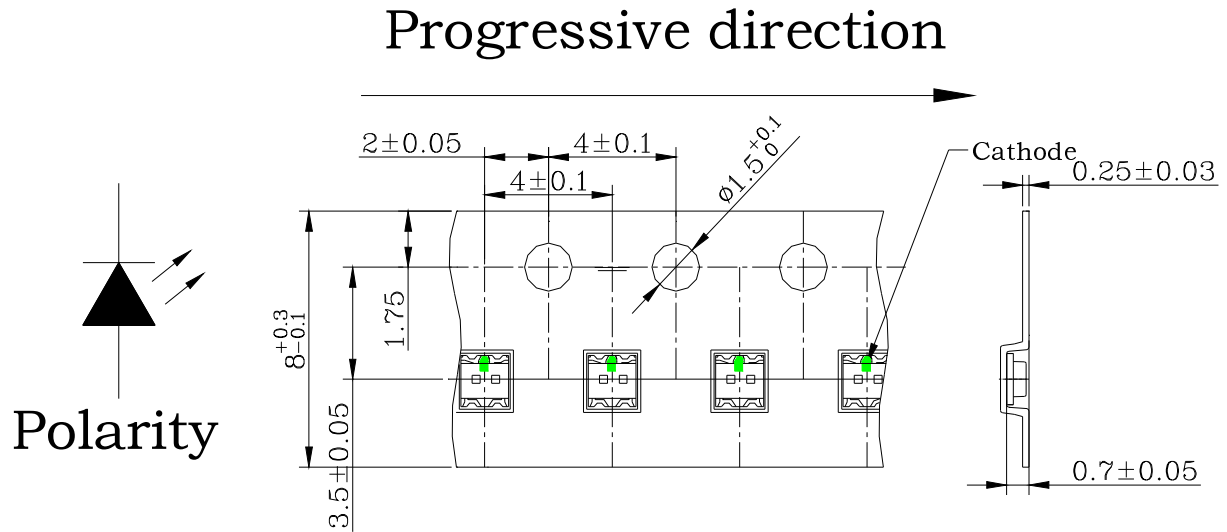


# SURFACE MOUNT DEVICE LED

Part No.: L-C195JRWDT-5A

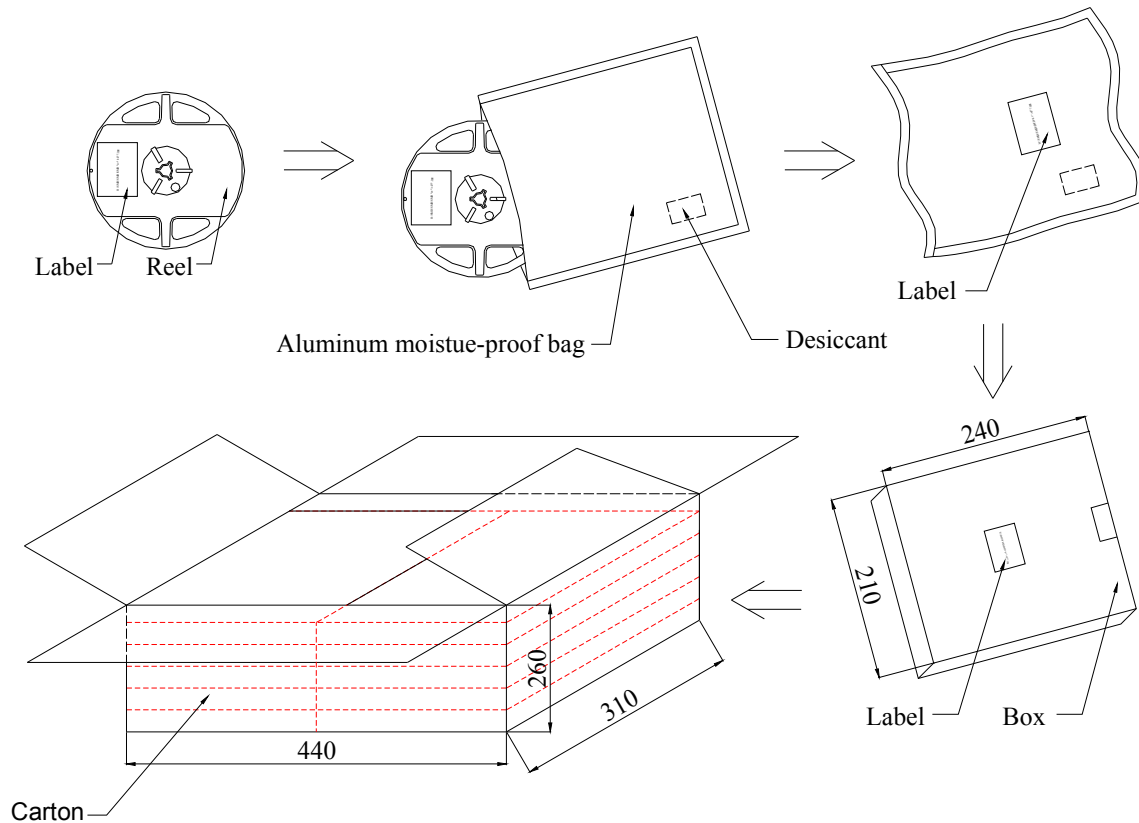
REV:A / 3

## ● Package Dimensions Of Tape And Reel



Notes: All dimensions are in millimeters.

## Moisture Resistant Packaging



Notes : One reel in a bag, six bag in a inner box, six inner boxes in a carton. Unit : mm



SURFACE MOUNT DEVICE LED

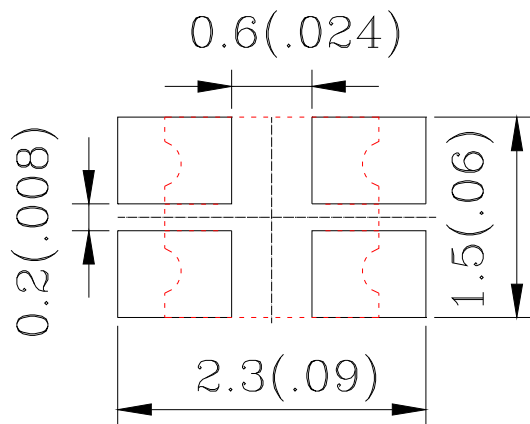
Part No.: L-C195JRWDT-5A

REV:A / 3

● Cleaning

- \* If cleaning is required , use the following solutions for less than 1 minute and less than 40°C.
- \* Appropriate chemicals: Ethyl alcohol and isopropyl alcohol.
- \* Effect of ultrasonic cleaning on the LED resin body differs depending on such factors as the oscillator output, size of PCB and LED mounting method. The use of ultrasonic cleaning should be enforced at proper output after confirming there is no problem.

● Suggest Soldering Pad Dimensions



Direction of PWB camber  
and go to reflow furnace

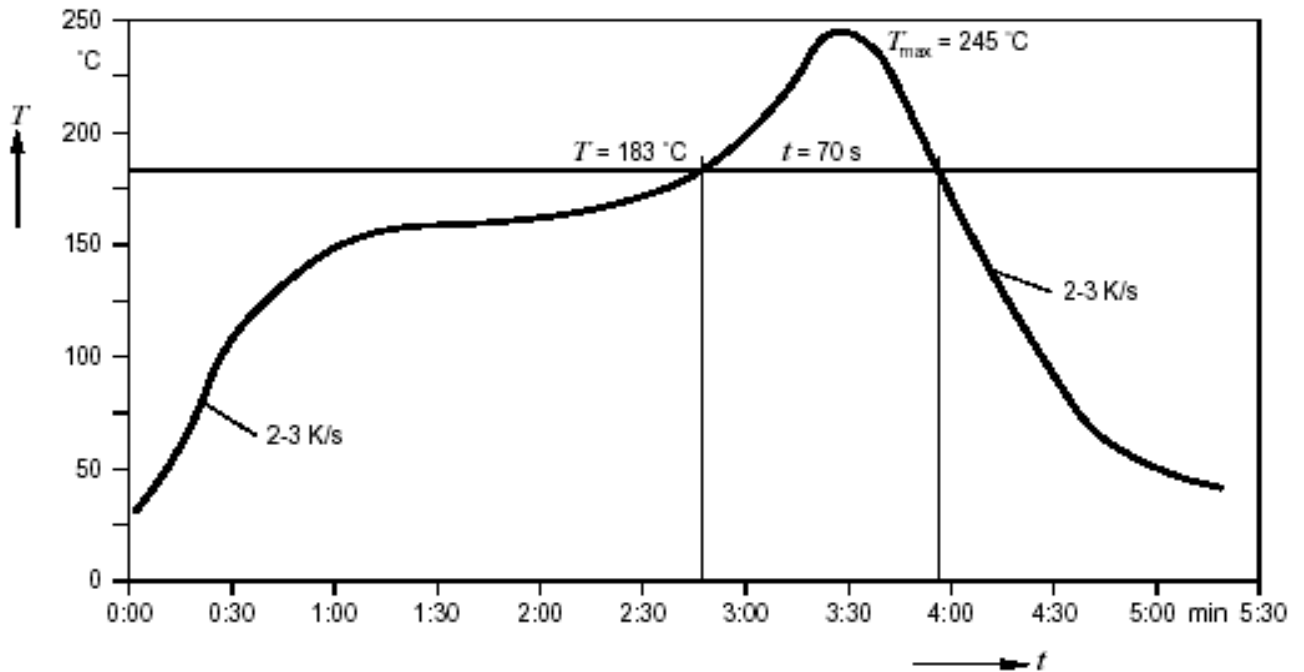


# SURFACE MOUNT DEVICE LED

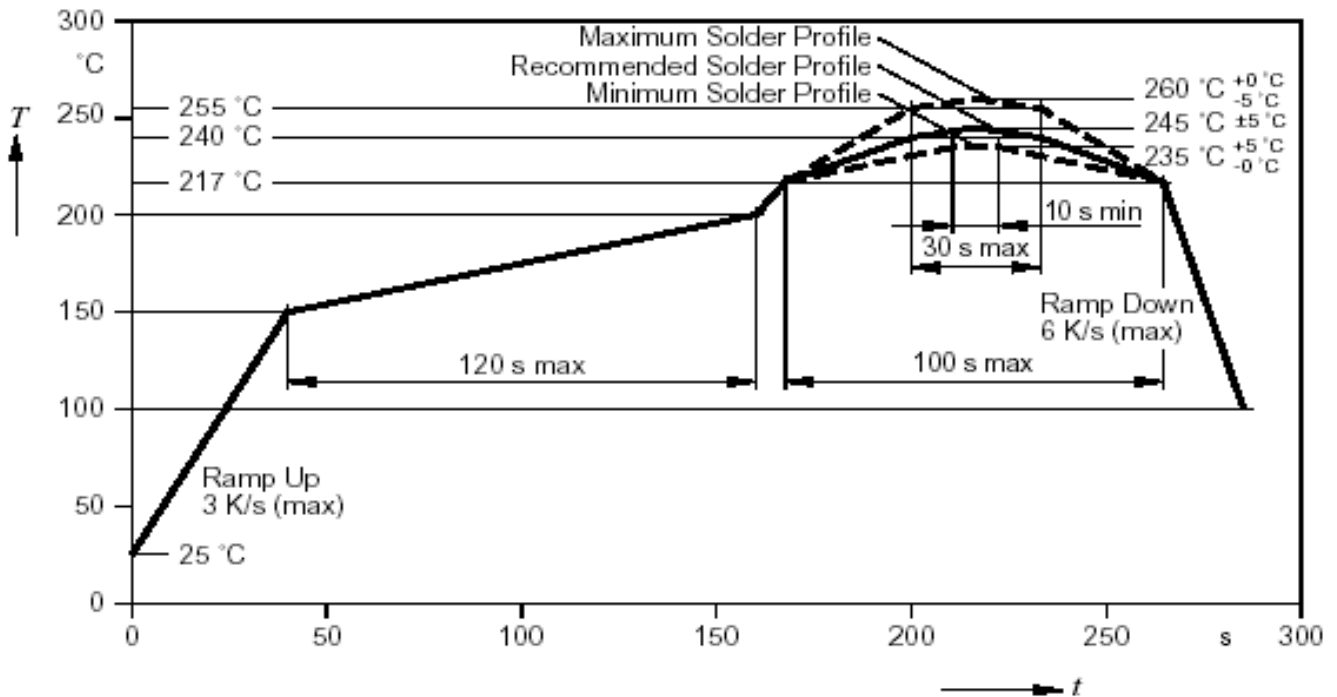
Part No.: L-C195JRWDT-5A

REV:A / 3

● Suggest Sn/Pb IR Reflow Soldering Profile Condition:



● Suggest Pb-Free IR Reflow Soldering Profile Condition:





# SURFACE MOUNT DEVICE LED

Part No.: L-C195JRWDT-5A

REV:A / 3

## ● Bin Code List

Luminous Intensity (IV), Unit: mcd@5mA					
Red (a chip)			White (b chip)		
Bin Code	Min	Max	Bin Code	Min	Max
K	7.1	11.2	P	45	71
L	11.2	18	Q	71	112
M	18	28	R	112	180

Tolerance of each bin are  $\pm 15\%$

Forward Voltage(VF), Unit:V@5mA		
White (b chip)		
Bin Code	Min	Max
11	2.60	2.70
12	2.70	2.80
13	2.80	2.90
14	2.90	3.00

Tolerance of each bin are  $\pm 0.1$  Volt

Color Rank (CIE chromaticity X , Y) @ 5mA									
Rank B3					Rank B4				
X	0.234	0.234	0.254	0.254	X	0.234	0.234	0.254	0.254
Y	0.17	0.202	0.23	0.198	Y	0.202	0.235	0.263	0.23
Rank B2					Rank B1				
X	0.254	0.254	0.274	0.274	X	0.274	0.254	0.254	0.274
Y	0.23	0.263	0.291	0.258	Y	0.258	0.23	0.198	0.226
Rank S1					Rank S2				
X	0.274	0.274	0.294	0.294	X	0.274	0.274	0.294	0.294
Y	0.226	0.258	0.286	0.254	Y	0.258	0.291	0.319	0.286
Rank S3					Rank S4				
X	0.294	0.294	0.314	0.314	X	0.294	0.294	0.314	0.314
Y	0.254	0.286	0.315	0.282	Y	0.286	0.319	0.347	0.315
Rank S5					Rank S6				
X	0.314	0.314	0.334	0.334	X	0.314	0.314	0.334	0.334
Y	0.282	0.315	0.343	0.311	Y	0.315	0.347	0.376	0.343

\* Measurement of Color coordinates : +/- 0.02

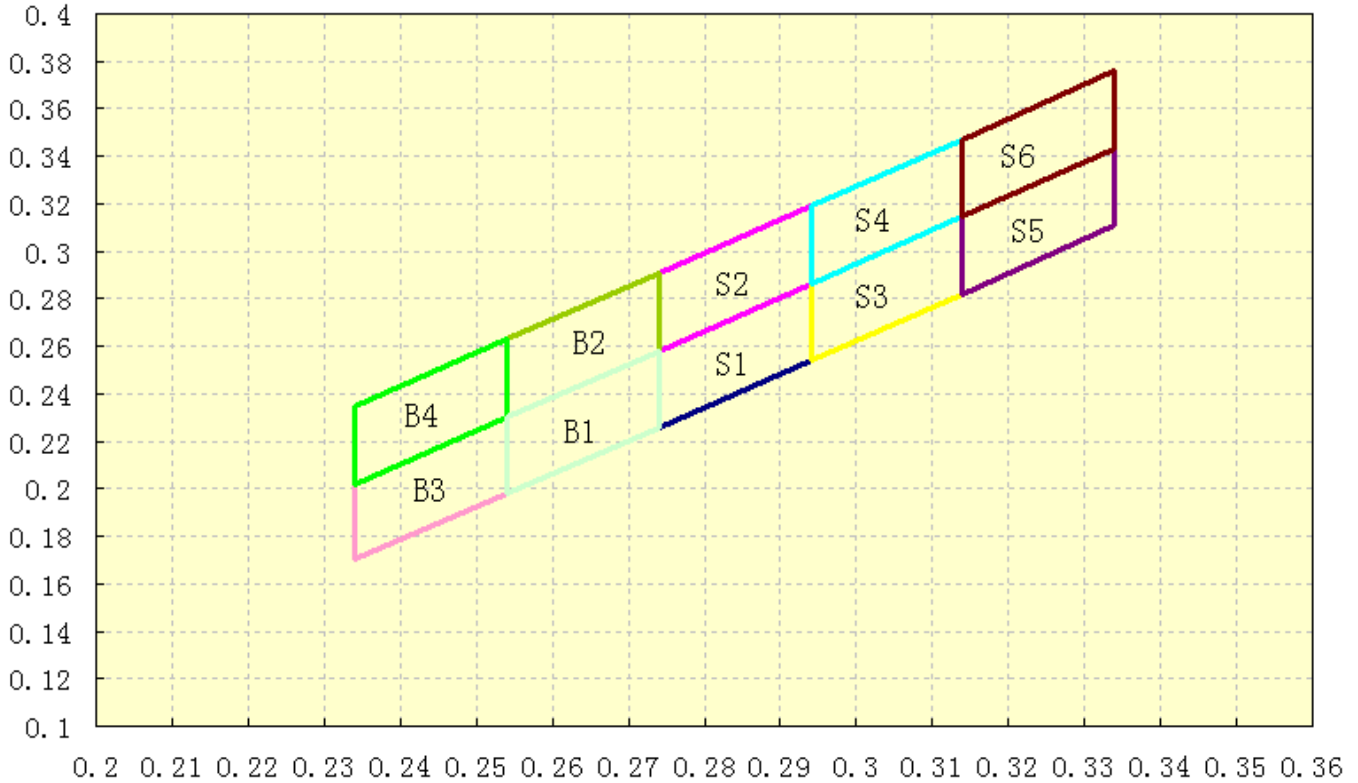


SURFACE MOUNT DEVICE LED

Part No.: L-C195JRWDT-5A

REV:A / 3

L-C195JRWDT-5A白光案



● CAUTIONS

1.Application Limitation:

The LED's described here are intended to be used for ordinary electronic equipment (such as office equipment, communication equipment and household application). Consult PARA's sales in advance for information on application in which exceptional quality and reliability are required, particularly when the failure or malfunction of the LED's may directly jeopardize life or health (such as airplanes, automobiles, traffic control equipment, life support system and safety devices).

2.Storage:

Do not open moisture proof bag before the products are ready to use.

Before opening the package: The LEDs should be kept at 30°C or less and 90%RH or less.

After opening the package: The LED's floor life is 1 year under 30°C or less and 60% RH or less. If unused LEDs remain, it should be stored in moisture proof packages.

If the moisture absorbent material (silica gel) has faded away or the LEDs have exceeded the storage time, baking treatment should be performed using the following conditions.

Baking treatment: 60±5°C for 24 hours.



## SURFACE MOUNT DEVICE LED

Part No.: L-C195JRWDT-5A

REV:A / 3

### 3. Soldering

Do not apply any stress to the lead frame during soldering while the LED is at high temperature.

Recommended soldering condition.

Reflow Soldering:

Pre-heat 120~150°C, 120sec. MAX., Peak temperature : 240°C Max. Soldering time: 10 sec Max.

Soldering Iron: (Not recommended)

Temperature 300°C Max., Soldering time : 3 sec. Max.(one time only), power dissipation of iron : 20W

Max. use SN60 solder of solder with silver content and don't to touch LED lens when soldering.

Wave soldering:

Pre-heat 100°C Max, Pre-heat time 60 sec. Max, Solder wave 260°C Max, Soldering time 5 sec. Max.

performed consecutively cooling process is required between 1<sup>st</sup> and 2<sup>nd</sup> soldering processes.

### 4. Lead-Free Soldering

For Reflow Soldering:

1、Pre-Heat Temp:150-180°C,120sec.Max.

2、Soldering Temp: Temperature Of Soldering Pot Over 230°C,40sec.Max.

3、Peak Temperature:260°C、5sec.

4、Reflow Repetition:2 Times Max.

5、Suggest Solder Paste Formula 93.3 Sn/3.1 Ag/3.1 Bi /0.5 Cu

For Soldering Iron (Not Recommended):

1、Iron Tip Temp:350°C Max.

2、Soldering Iron:30w Max.

3、Soldering Time:3 Sec. Max. One Time.

For Dip Soldering:

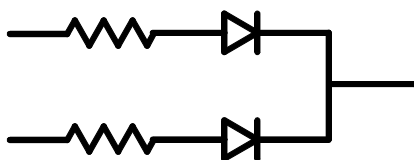
1、Pre-Heat Temp:150°C Max. 120 Sec. Max.

2、Bath Temp:265°C Max.

3、Dip Time:5 Sec. Max.

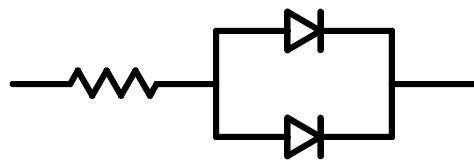
### 5. Drive Method

Circuit model A



(A)Recommended circuit.

Circuit model B



(B)The difference of brightness between LED's could be found due to the Vf-If characteristics of LED.



## SURFACE MOUNT DEVICE LED

Part No.: L-C195JRWDT-5A

REV:A / 3

### 6. Reliability Test

Classification	Test Item	Test Condition	Reference Standard
Endurance Test	Operation Life	Ta= Under Room Temperature As Per Data Sheet Maximum Rating *Test Time= 1000HRS (-24HRS,+72HRS)*@20mA.	MIL-STD-750D: 1026 (1995) MIL-STD-883D: 1005 (1991) JIS C 7021:B-1 (1982)
	High Temperature High Humidity Storage	IR-Reflow In-Board, 2 Times Ta= 65±5°C, RH= 90~95% *Test Time= 1000HRS±2HRS	MIL-STD-202F: 103B(1980) JIS C 7021: B-11 (1982)
	High Temperature Storage	Ta= 105±5°C Test Time= 1000HRS (-24HRS, 72HRS)	MIL-STD-883D: 1008 (1991) JIS C 7021:B-10 (1982)
	Low Temperature Storage	Ta= -55±5°C *Test Time=1000HRS (-24HRS, 72HRS)	JIS C 7021:B-12 (1982)
Environmental Test	Temperature Cycling	105±5°C      -55±5°C 10mins      10mins      100 Cycles	MIL-STD-202F: 107D (1980) MIL-STD-750D: 1051(1995) MIL-STD-883D: 1010 (1991) JIS C 7021: A-4 (1982)
	Thermal Shock	IR-Reflow In-Board, 2 Times 105±5°C      -55°C±5°C 10mins      10mins      100 Cycles	MIL-STD-202F: 107D(1980) MIL-STD-750D: 1051(1995) MIL-STD-883D: 1011(1991)
	Solder Resistance	Tsol= 260 ± 5°C Dwell Time= 10 ± 1sec	MIL-STD-202F: 210A(1980) MIL-STD-750D: 2031(1995) JIS C 7021: A-1 (1982)
	Solder ability	Tsol= 235 ± 5°C Immersion time 2±0.5 sec Immersion rate 25±2.5 mm/sec Coverage ≥95% of the dipped surface	MIL-STD-202F: 208D(1980) MIL-STD-750D: 2026(1995) MIL-STD-883D: 2003(1991) IEC 68 Part 2-20 JIS C 7021: A-2 (1982)

### 7. Others:

The appearance and specifications of the product may be modified for improvement without notice.