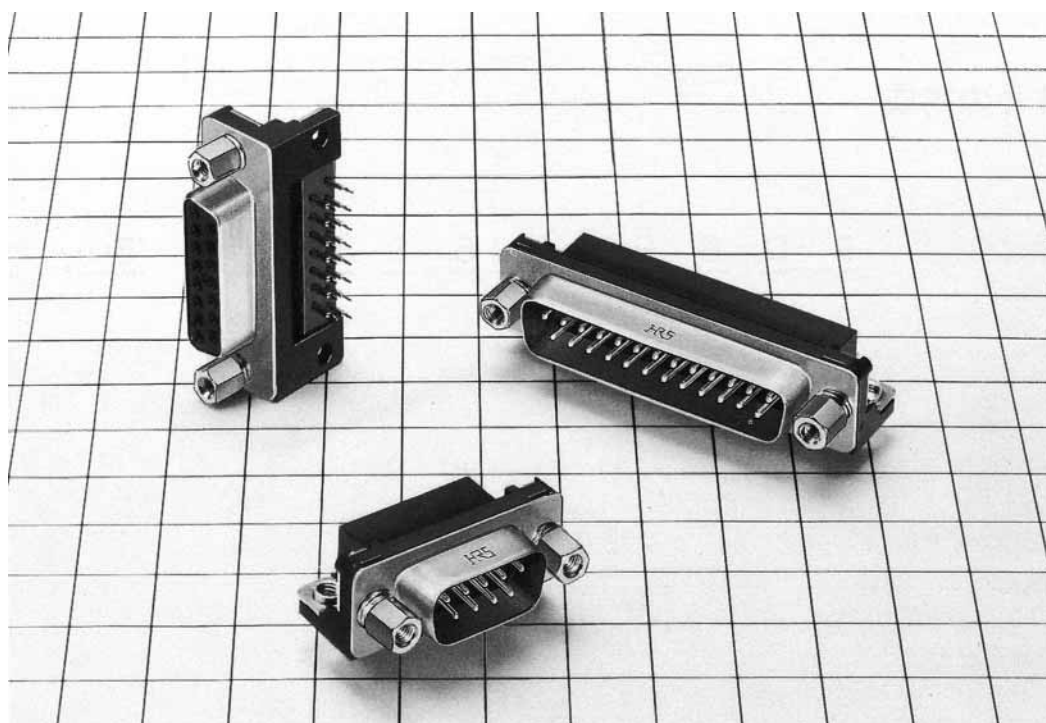


RD ✕ F SERIES "D" SUB RANGE WITH FERRITE

General

RD✕F Series connectors are a new derivative of our D Sub Range. These connectors are fitted with an inner Ferrite core provided for protection from EMI. These connectors are available in 9, 15, and 25 positions. (The 15 contact version is only available with female contacts).



Features

1. The Ferrite effectively attenuates conduction noise.
2. Same installation dimensions and printed circuit board size as the conventional RD*D series connectors.

Application

Communications equipment modems, and various peripheral equipment, control devices, etc.
electronic equipment including computers and

Electrical and Environmental

Electrical and Environmental Characteristics	
Current capacity	3A
Rated voltage	100V AC
Insulation resistance	1MΩ min. at 500V DC
Contact resistance	25mΩ max. at 100mA DC
Withstand voltage	1250Vrms AC for 1 minute

Item Material Finish		
Shell	Steel	Nickel plating
Insulator	PBT※	Black
Contacts	Phosphor bronze	Nickel plating + selective gold plating

※UI94V-0

Ordering Informations

RD B F — 25 S A — L N (50)
 (1) (2) (3) (4) (5) (6) (7) (8)

- (1) Series name
RD: D-sub Right Angle type
- (2) Shell size: E, A, B
- (3) F: Ferrite added
- (4) No. of pins: 9, 15, 25
- (5) Type of Contacts
P: Pin Connectors
S: Socket Connector
- (6) Mounting Configuration (Shape of ground terminal)
Blank: M3×0.5
A: φ 3.2 Through Hole
E: Snap-Lock PCB Grounding Insert
- (7) Locking Configuration
Euro-Type { LN :m2.6×0.45
Insert { LN(4-40):No.4-40UNC-2B

RS-232 { LNA :M2.6×0.45
Insert { LNA(4-40):No.4-40UNC-2B
- (8) Specification contents



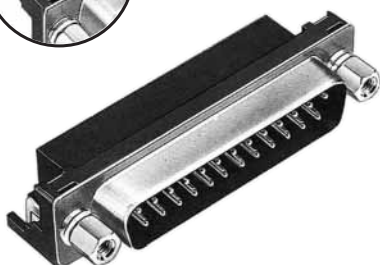
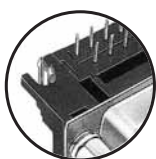
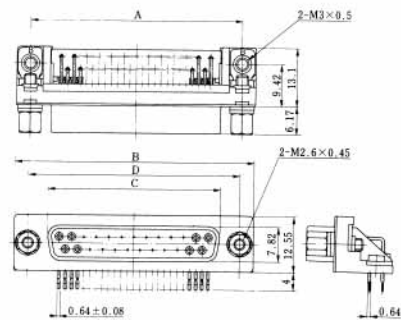
RDBF-25S-LNA (50)

Hexagonal-mating threaded holes: M2.6×0.45 (metric)
 Ground terminal (PCB-mounting): M3×0.52

HRS No	No. of Pin	Part No.	RoHS
CL211-0859-0-50	9	RDEF-9S-LNA (50)	YES
CL211-0860-9-50	15	RDAF-15S-LNA (50)	
CL211-0861-1-50	25	RDBF-25S-LNA (50)	

Unit: mm

No. of Pin	A	B	C	D
9	24.99	30.81	16.4	24.99
15	33.32	39.14	24.59	33.32
25	47.04	53.04	38.3	47.04



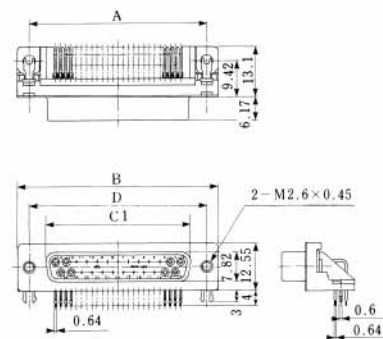
RDBF-25PE-LNA (50)

Rectangular-mating threaded holes: M2.6×0.45 (metric)
 Ground terminal (PCB-mounting): Fitted with a simple lock pin for temporary locking on a PCB.

HRS No	No. of Pin	Part No.	RoHS
CL211-0966-0-50	9	RDEF-9P-LNA (50)	YES
CL211-5085-0-50		RDEF-9PE-LNA (50)	
CL211-5030-9-50	25	RDBF-25PE-LNA (50)	

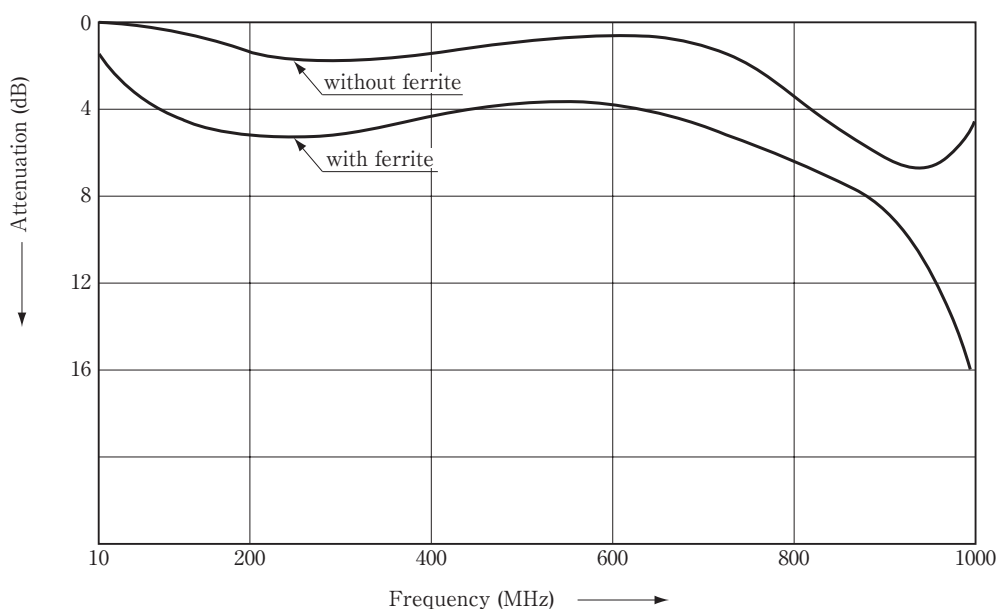
Unit: mm

No. of Pin	A	B	C	D	E
9	24.99	30.81	16.9	24.99	8.34
25	47.04	53.04	39.01	47.04	8.4

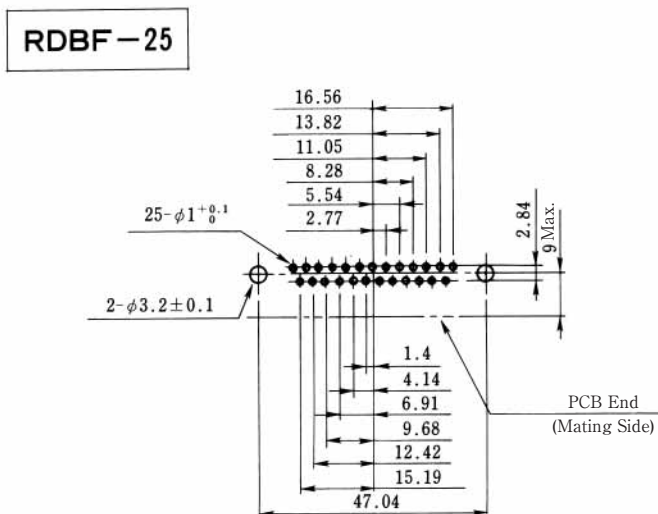
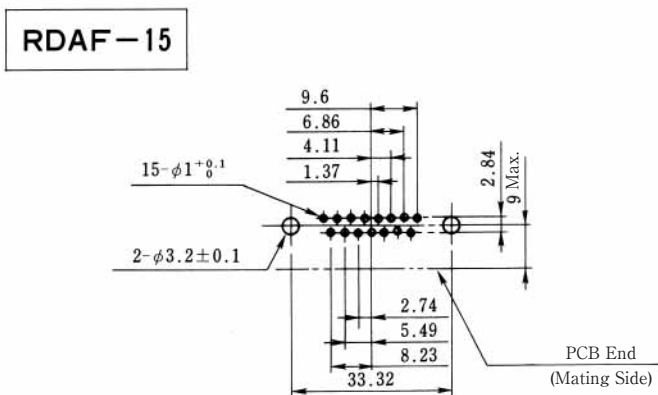
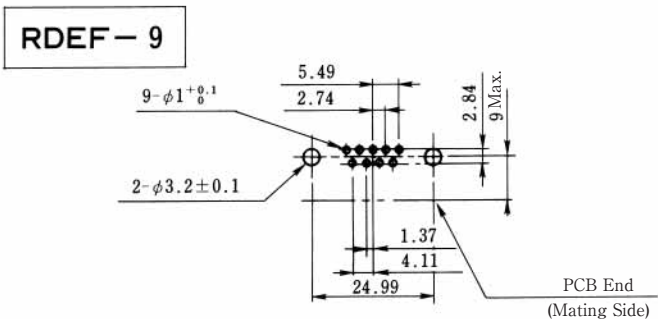


Note: Ground terminal (PCB-mounting) for RDEF-9P-LNA: M3×0.5

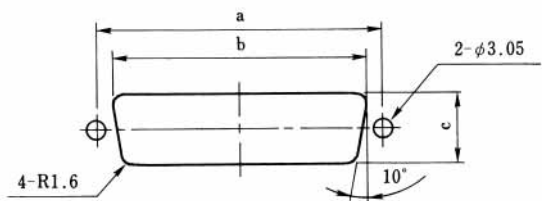
Characteristics of Attenuation



PCB Mounting Pattern (mm)



Mounting Cutout



Unit: mm

Shell Size	a	b	c
E	24.99	20.2	11.5
A	33.32	28.6	11.5
B	47.04	42.5	11.5