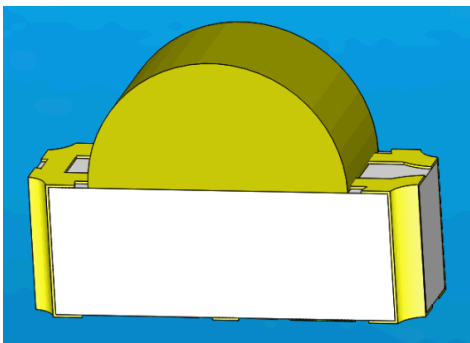


## SMD ■ B

### 12-22/R6T3D-C30/2C



#### Features

- Package in 8mm tape on 7" diameter reel.
- Compatible with automatic placement equipment.
- Compatible with infrared and vapor phase reflow solder process.
- Multicolor type.
- Pb-free.
- The product itself will remain within RoHS compliant version.

#### Description

- The 12-22 SMD LED is much smaller than lead frame type components, thus enable smaller board size, higher packing density, reduced storage space and finally smaller equipment to be obtained.
- Besides, lightweight makes them ideal for miniature applications. etc.

#### Applications

- Backlighting in dashboard and switch.
- Telecommunication: indicator and backlighting in telephone and fax.
- Flat backlight for LCD, switch and symbol.
- General use.

## Device Selection Guide

Code	Chip Materials	Emitted Color	Resin Color
R6	AlGaInP	Brilliant Red	Yellow Diffused
T3	InGaN	Pure White	

## Absolute Maximum Ratings (Ta=25 °C)

Parameter	Symbol	Code	Rating	Unit
Reverse Voltage	$V_R$		5	V
Forward Current	$I_F$	R6	25	mA
		T3	10	mA
peak Forward Current (Duty 1/10 @1KHz)	$I_{FP}$	R6	60	mA
		T3	100	
Power Dissipation	$P_d$	R6	60	mW
		T3	40	
Electrostatic Discharge	$ESD_{HBM}$	R6	2000	V
		T3	150	
Operating Temperature	$T_{opr}$		-40 ~ +85	
Storage Temperature	$T_{stg}$		-40 ~ +90	
Soldering Temperature	$T_{sol}$		Reflow Soldering : 260	for 10 sec.
			Hand Soldering : 350	for 3 sec.

**Electro-Optical Characteristics (Ta=25 )**

Parameter	Symbol	Code	Min.	Typ.	Max.	Unit	Condition
Luminous Intensity	I <sub>v</sub>	R6	18.0	-----	45.0	mcd	
		T3	57.0	-----	112.0		
Viewing Angle	2θ <sub>1/2</sub>		-----	130	-----	deg	
Peak Wavelength	ρ	R6	-----	632	-----	nm	
		T3	-----	-----	-----	nm	
Dominant Wavelength	d	R6	-----	624	-----	nm	I <sub>F</sub> =5mA
		T3	-----	-----	-----	nm	
Spectrum Radiation Bandwidth		R6	-----	20	-----	nm	
		T3	-----	-----	-----	nm	
Forward Voltage	V <sub>F</sub>	R6	1.70	-----	2.20	V	
		T3	2.50	-----	3.20		
Reverse Current	I <sub>R</sub>	R6	-----	-----	10	μA	V <sub>R</sub> =5V
		T3	-----	-----	50	μA	V <sub>R</sub> =5V

Note:  
Tolerance of Luminous Intensity: ±11%

**Bin Range of Luminous Intensity  
 R6**

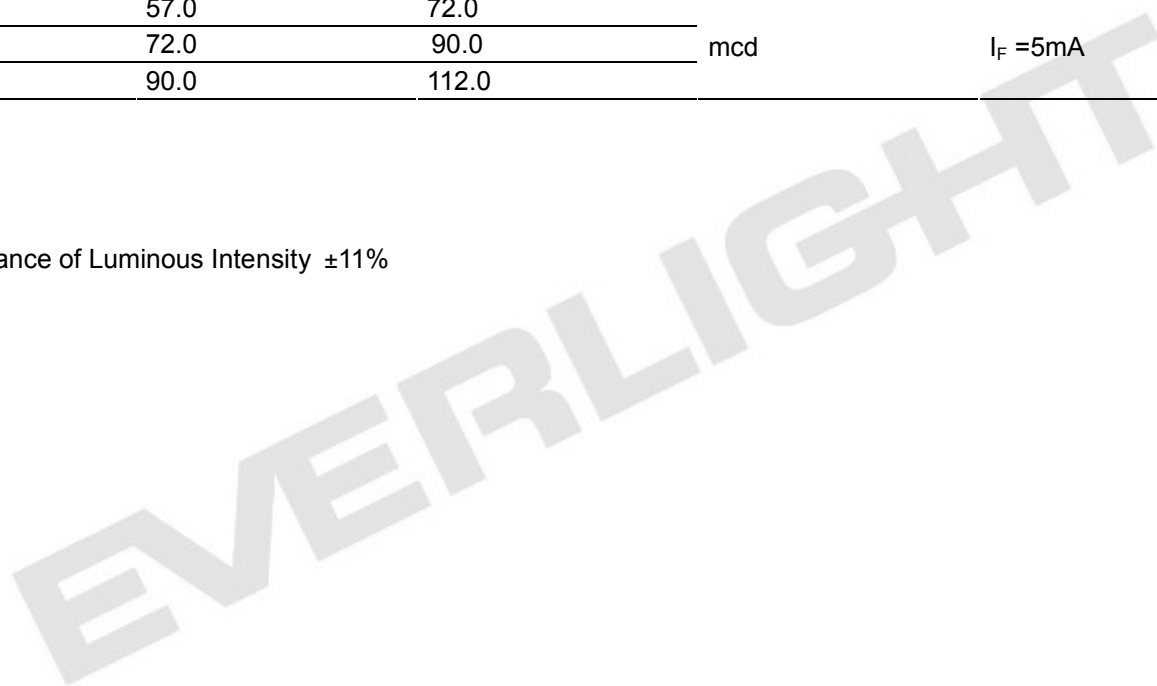
Bin Code	Min.	Max.	Unit	Condition
M1	18.0	22.5	mcd	I <sub>F</sub> =5mA
M2	22.5	28.5		
N1	28.5	36.0		
N2	36.0	45.0		

**Bin Range of Luminous Intensity  
 T3**

Bin Code	Min.	Max.	Unit	Condition
P2	57.0	72.0	mcd	I <sub>F</sub> =5mA
Q1	72.0	90.0		
Q2	90.0	112.0		

Notes:

Tolerance of Luminous Intensity  $\pm 11\%$



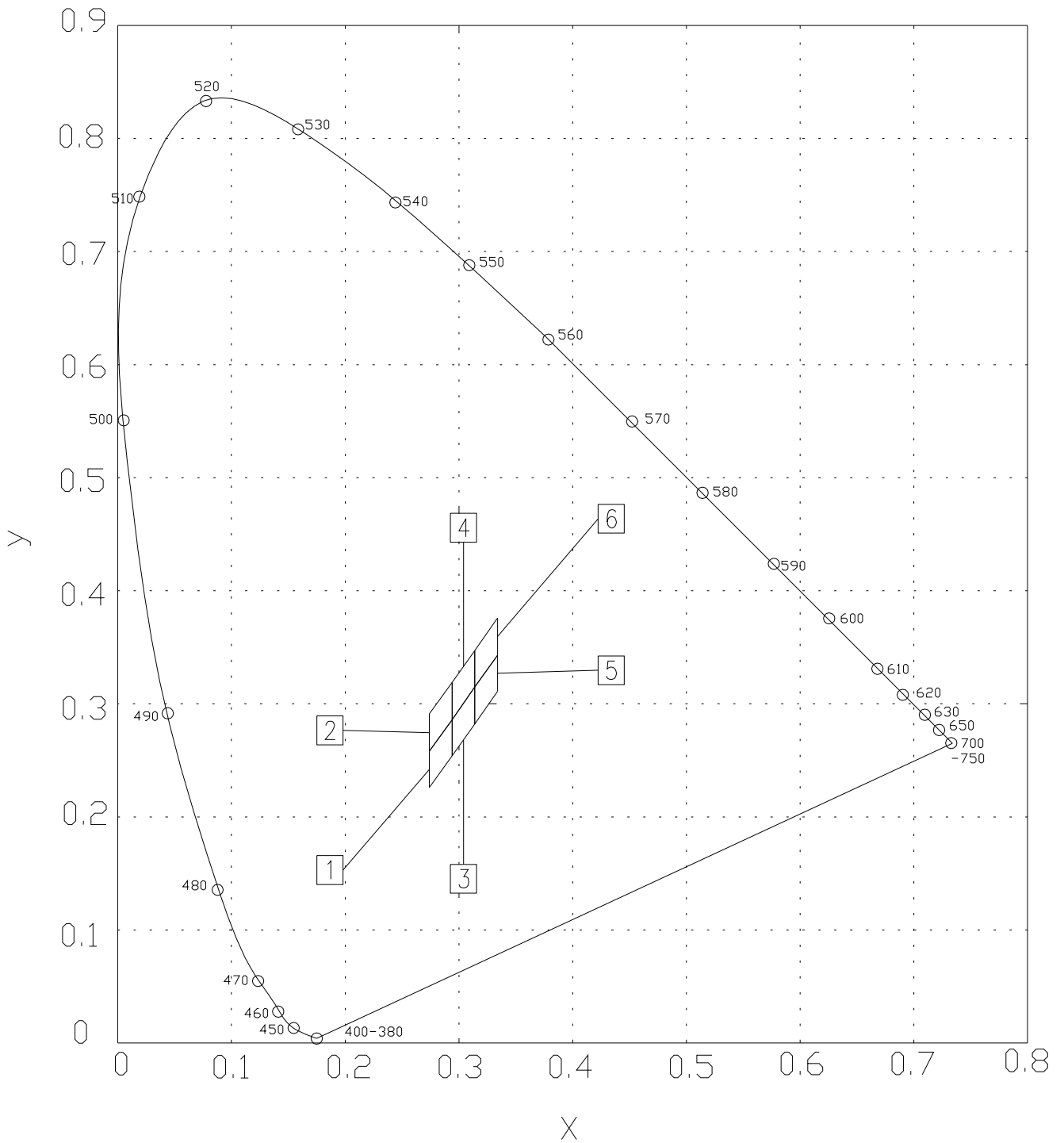
### Chromaticity Coordinates Specifications for Bin Grading

Bin Code	CIE_x	CIE_y	Condition
1	0.274	0.226	I <sub>F</sub> =5mA
	0.274	0.258	
	0.294	0.286	
	0.294	0.254	
2	0.274	0.258	
	0.274	0.291	
	0.294	0.319	
3	0.294	0.286	
	0.294	0.254	
	0.294	0.286	
	0.314	0.315	
4	0.314	0.282	
	0.294	0.286	
	0.294	0.319	
	0.314	0.347	
5	0.314	0.315	
	0.314	0.282	
	0.334	0.343	
	0.334	0.311	
6	0.314	0.315	
	0.314	0.347	
	0.334	0.376	
	0.334	0.343	

Notes:

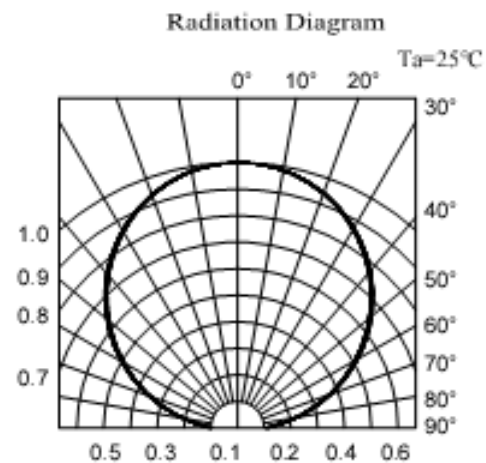
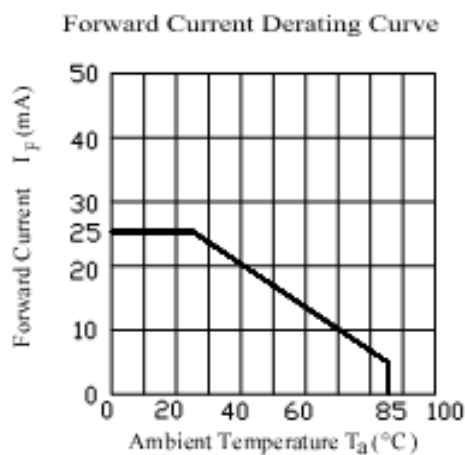
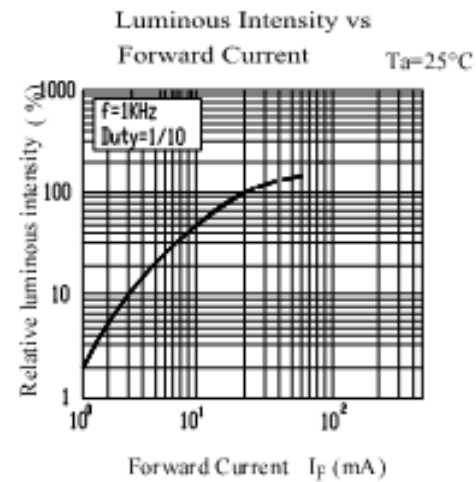
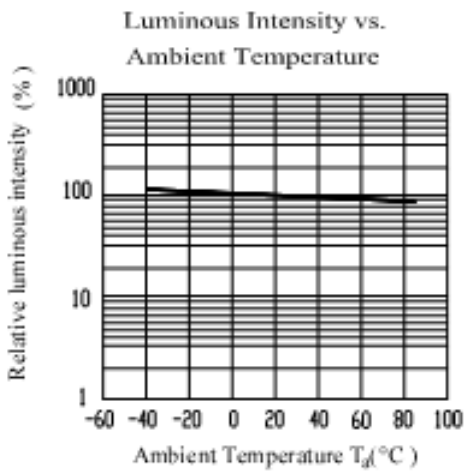
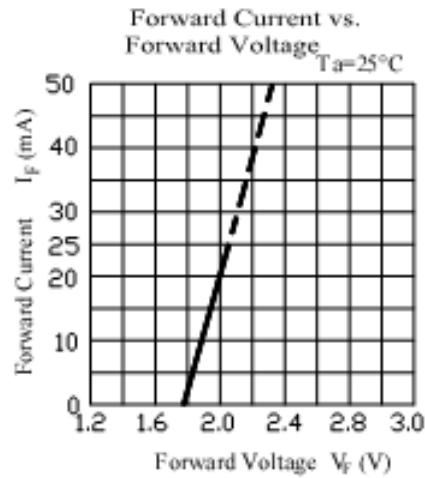
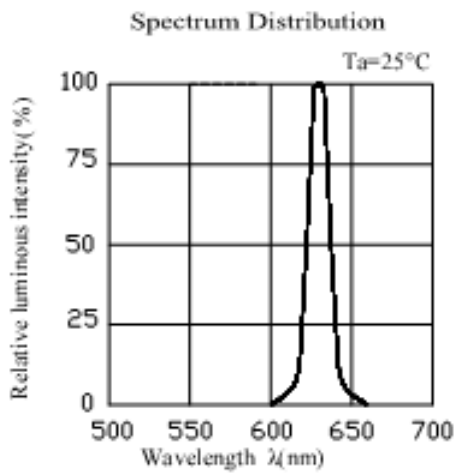
- 1.The C.I.E. 1931 chromaticity diagram ( Tolerance ±0.01 ).
- 2.The products are sensitive to static electricity and care must be fully taken when handling products.

### CIE Chromaticity Diagram



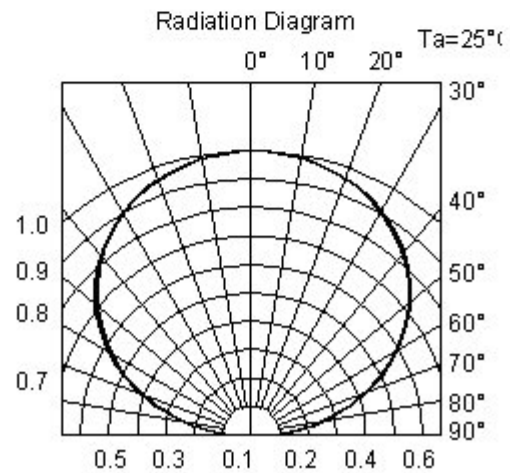
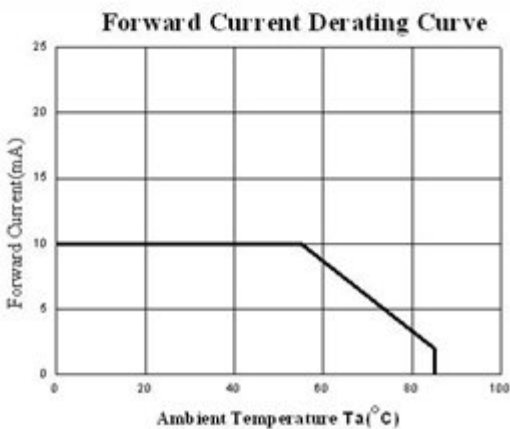
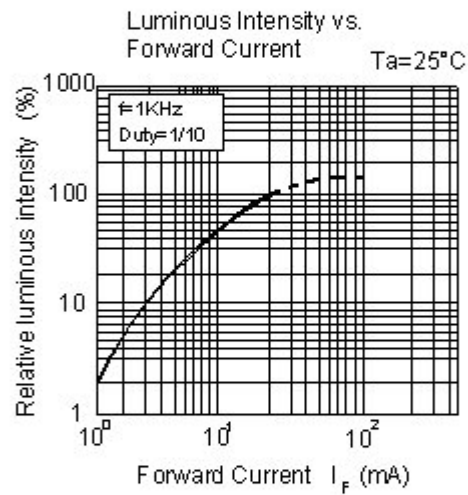
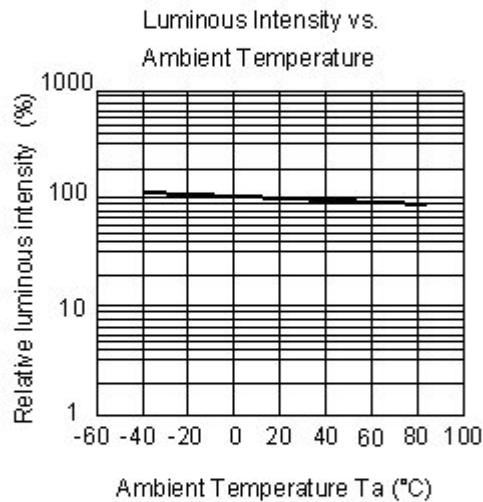
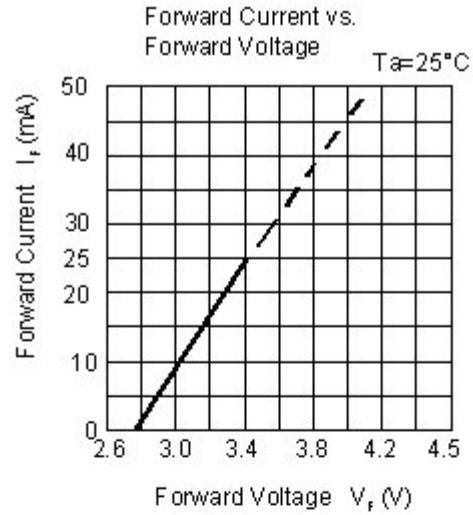
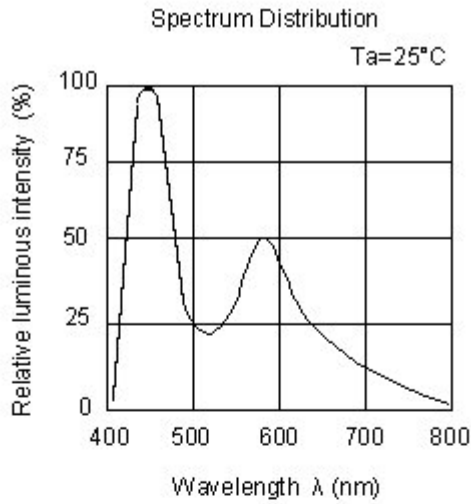
Typical Electro-Optical Characteristics Curves

R6



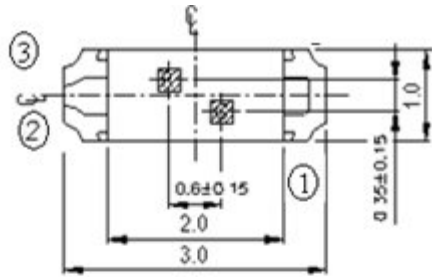
Typical Electro-Optical Characteristics Curves

T3

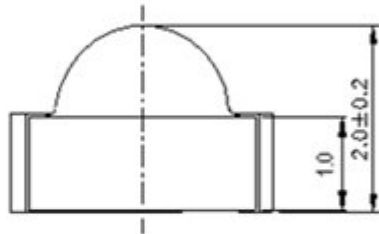




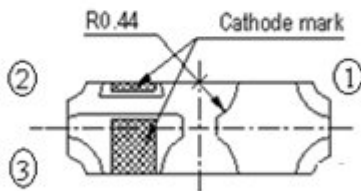
### Package Outline Dimensions



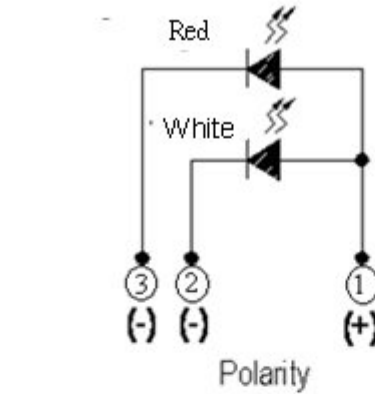
Top



Side

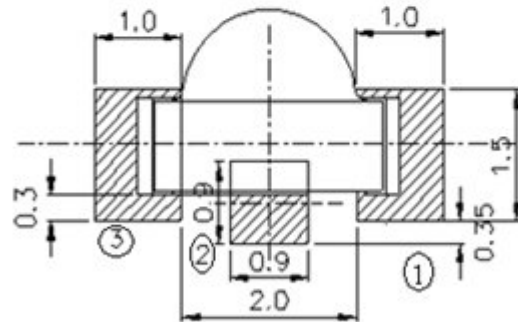


Bottom



Polarity

For reflow soldering (propose)



Suggested pad dimension is just for reference only.↵  
Please modify the pad dimension based on individual need.↵

Note: Tolerances unless mentioned  $\pm 0.1\text{mm}$ . Unit = mm

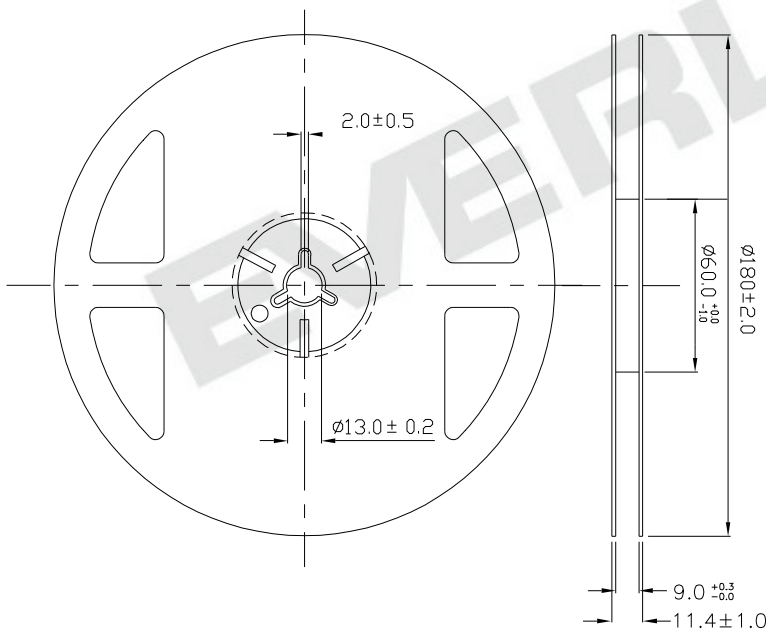
**Moisture Resistant Packing Materials**

**Label Explanation**



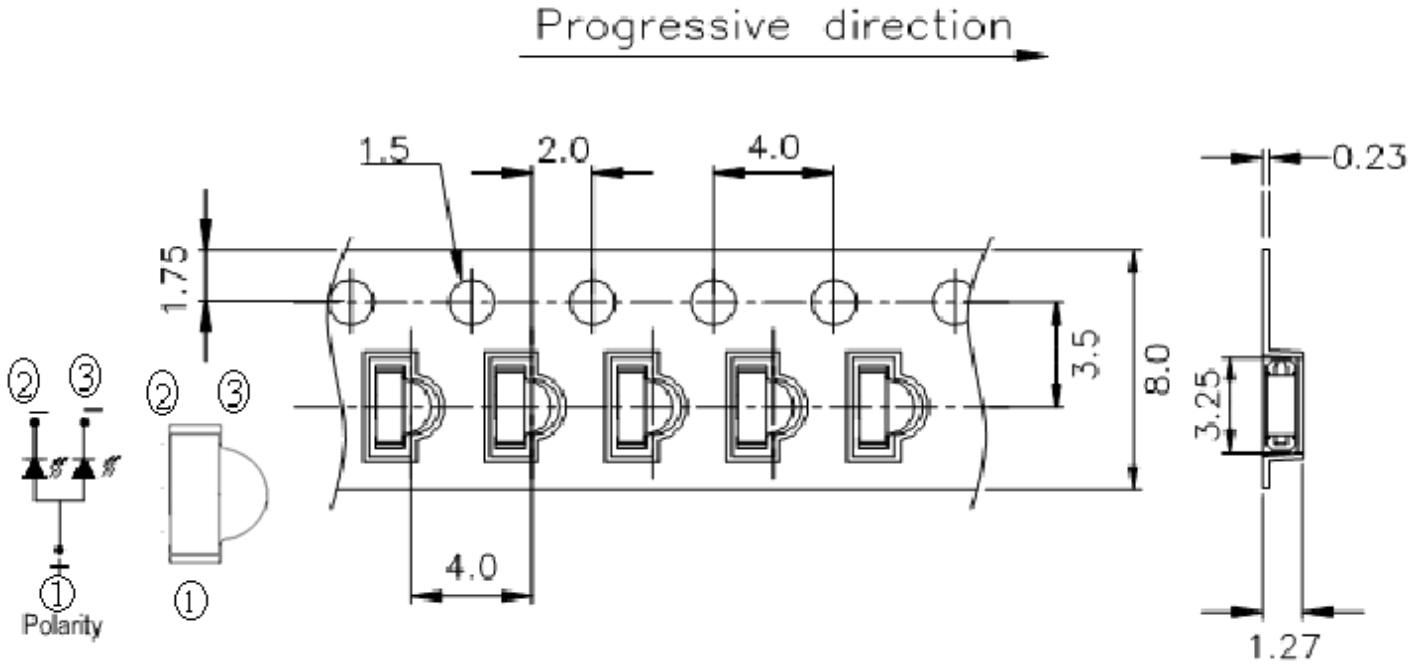
- CPN: Customer's Product Number
- P/N: Product Number
- QTY: Packing Quantity
- CAT: Luminous Intensity Rank
- HUE: Chromaticity Coordinates & Dom. Wavelength Rank
- REF: Forward Voltage Rank
- LOT No: Lot Number

**Reel Dimensions**



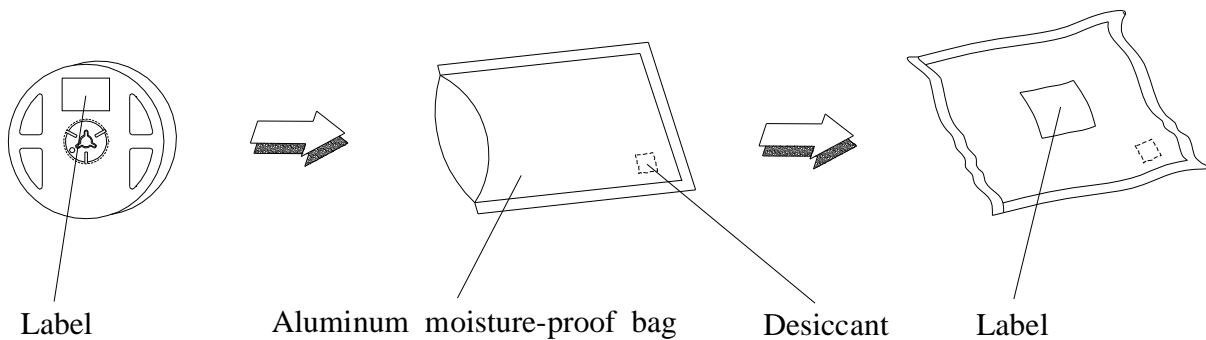
**Note:** The tolerances unless mentioned is  $\pm 0.1\text{mm}$  ,Unit = mm

**Carrier Tape Dimensions: Loaded quantity 2000 PCS per reel**



**Note:** The tolerances unless mentioned is  $\pm 0.1\text{mm}$ , Unit = mm

**Moisture Resistant Packaging**



## Precautions For Use

### 1. Over-current-proof

Customer must apply resistors for protection, otherwise slight voltage shift will cause big current change ( Burn out will happen ).

### 2. Storage

2.1 Do not open moisture proof bag before the products are ready to use.

2.2 Before opening the package: The LEDs should be kept at 30 °C or less and 90%RH or less.

2.3 After opening the package: The LED's floor life is 1 year under 30 °C or less and 60% RH or less.

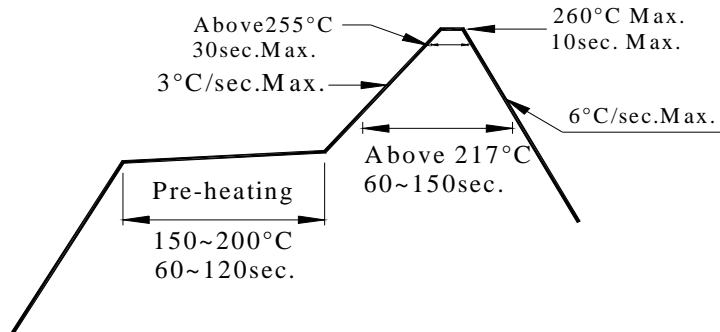
If unused LEDs remain, it should be stored in moisture proof packages.

2.4 If the moisture absorbent material (silica gel) has faded away or the LEDs have exceeded the storage time, baking treatment should be performed using the following conditions.

Baking treatment :  $60 \pm 5$  °C for 24 hours.

### 3. Soldering Condition

#### 3.1 Pb-free solder temperature profile



3.2 Reflow soldering should not be done more than two times.

3.3 When soldering, do not put stress on the LEDs during heating.

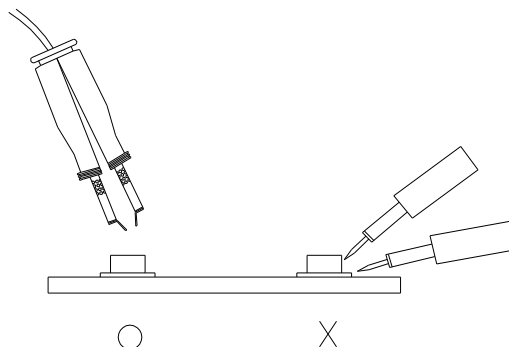
3.4 After soldering, do not warp the circuit board.

### 4. Soldering Iron

Each terminal is to go to the tip of soldering iron temperature less than 350 °C for 3 seconds within once in less than the soldering iron capacity 25W. Leave two seconds and more intervals, and do soldering of each terminal. Be careful because the damage of the product is often started at the time of the hand solder.

### 5. Repairing

Repair should not be done after the LEDs have been soldered. When repairing is unavoidable, a double-head soldering iron should be used (as below figure). It should be confirmed beforehand whether the characteristics of the LEDs will or will not be damaged by repairing.



## Application Restrictions

High reliability applications such as military/aerospace, automotive safety/security systems, and medical equipment may require different product. If you have any concerns, please contact Everlight before using this product in your application. This specification guarantees the quality and performance of the product as an individual component. Do not use this product beyond the specification described in this document.

EVERLIGHT