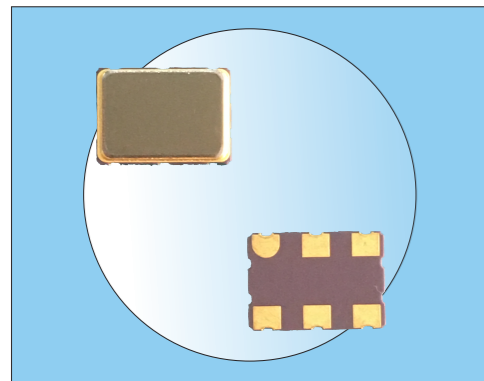


Crystal Oscillators

Voltage Controlled Crystal Oscillator/SMD7050P



Features

- JYEG part number :JYVCD7P
- 3.3V supply voltage
- LVPECL output
- Tri-state function available
- Tape and reel available

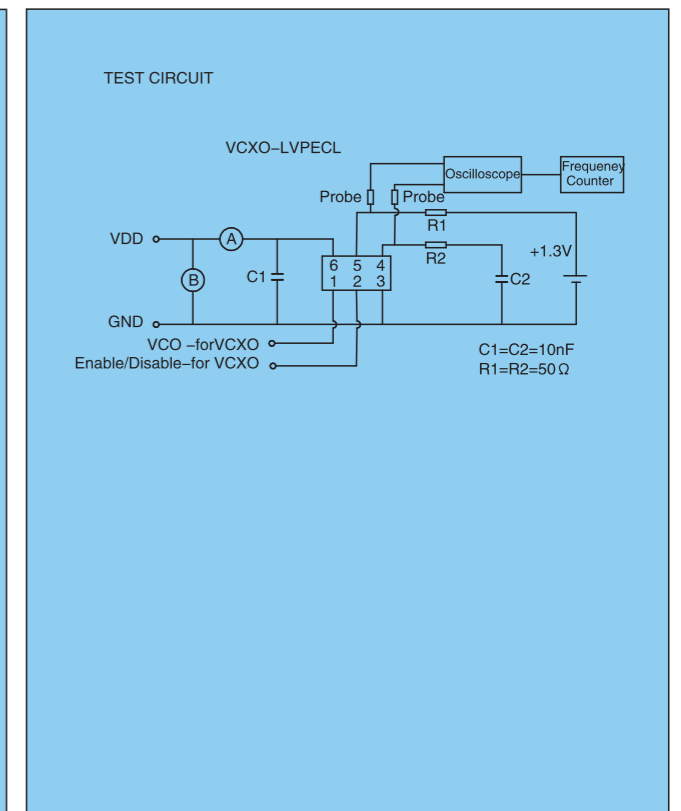
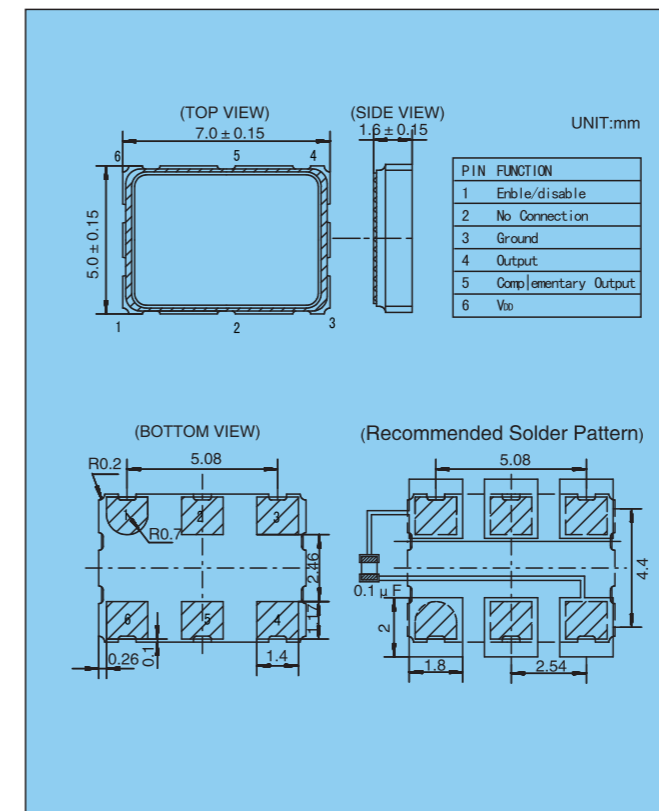
TYPICAL SPECIFICATIONS

| Type | VCXO SMD7050P | | |
|-----------------------------|---|------|------|
| Frequency Range | 100.000~170.000MHZ(AT1) | | |
| Frequency Stability | ≥ ± 25ppm / ≥ ± 30ppm/≥±50ppm | | |
| Operating Temperature Range | -20°C~70°C/-40°C~85°C/-40°C~105°C | | |
| Output Load | 50 ± 0.5 Ω (Supply VDD=2V to end point) | | |
| Input Current | ≤ 80mA | | |
| Supply Voltage | 3.3V ± 10% | | |
| Start-up Time | 1ms Max | | |
| Duty Cycle | 40%~60% Normal,45%~55% Tight | | |
| Rise/Fall Time | 2ns Max | | |
| Pulling Range | ± 50ppm Min | | |
| Control Voltage Range | 0~3.3V | | |
| Linearity | 10% Max | | |
| Output "H" Level | MIN | TYP | MAX |
| | 2.275 | 2.35 | 2.42 |
| Output "L" Level | MIN | TYP | MAX |
| | 1.49 | 1.6 | 1.68 |
| Tri-state | Pin2:0.7 VDD Min(High)or open,Output:Enable | | |
| | Pin2:0.3 VDD Max(Low),Output:Disable | | |
| RMS Jitter(12KHZ~20MHZ) | 1.0ps Max | | |
| Aging | ± 3ppm/year Max | | |
| Storage Temperature Range | -55°C~125°C | | |

Crystal Oscillators

VCXO SMD7050P(JYVCD7P)

TEST CIRCUIT



TAPE AND REEL DIMENSIONS

