

SAW Resonator 1 GHz

MODEL NO.: TC0337A

REV. NO.: 4.0

A. FEATURES:

- 1-Port Resonator.

B. MAXIMUM RATING:

1. Input Power Level: 10 dBm
2. DC voltage: 3 V
3. Operating Temperature: -40°C to +85°C
4. Storage Temperature: -40°C to +85°C
5. Moisture Sensitive Level: Level 1 (MSL1)

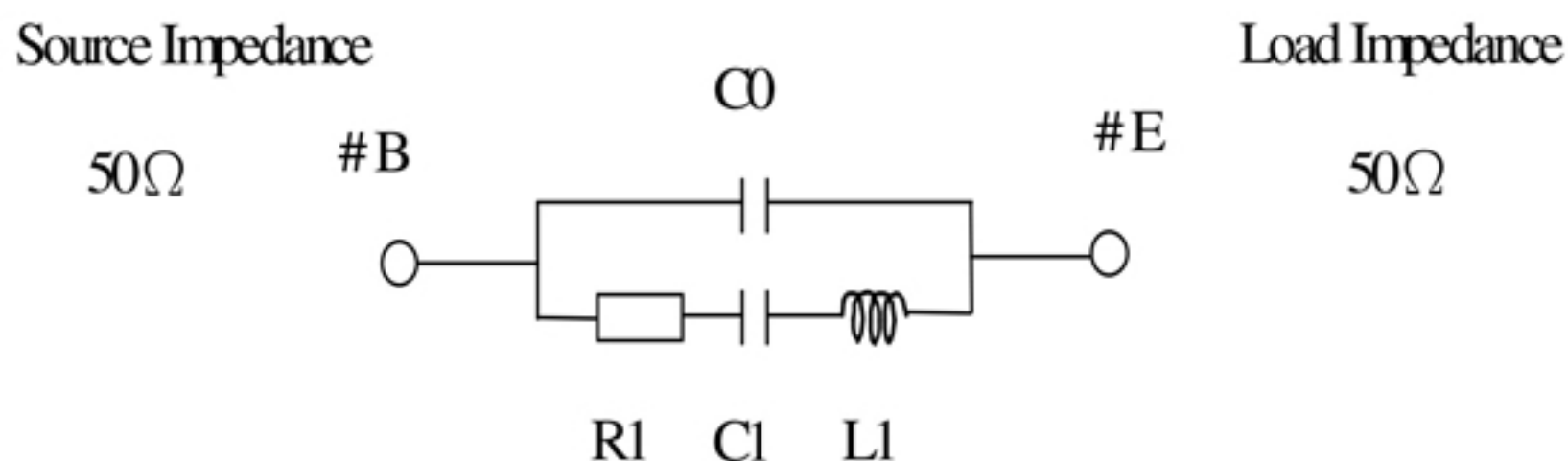
RoHS Compliant
Lead free
Lead-free soldering

C. ELECTRICAL CHARACTERISTICS:

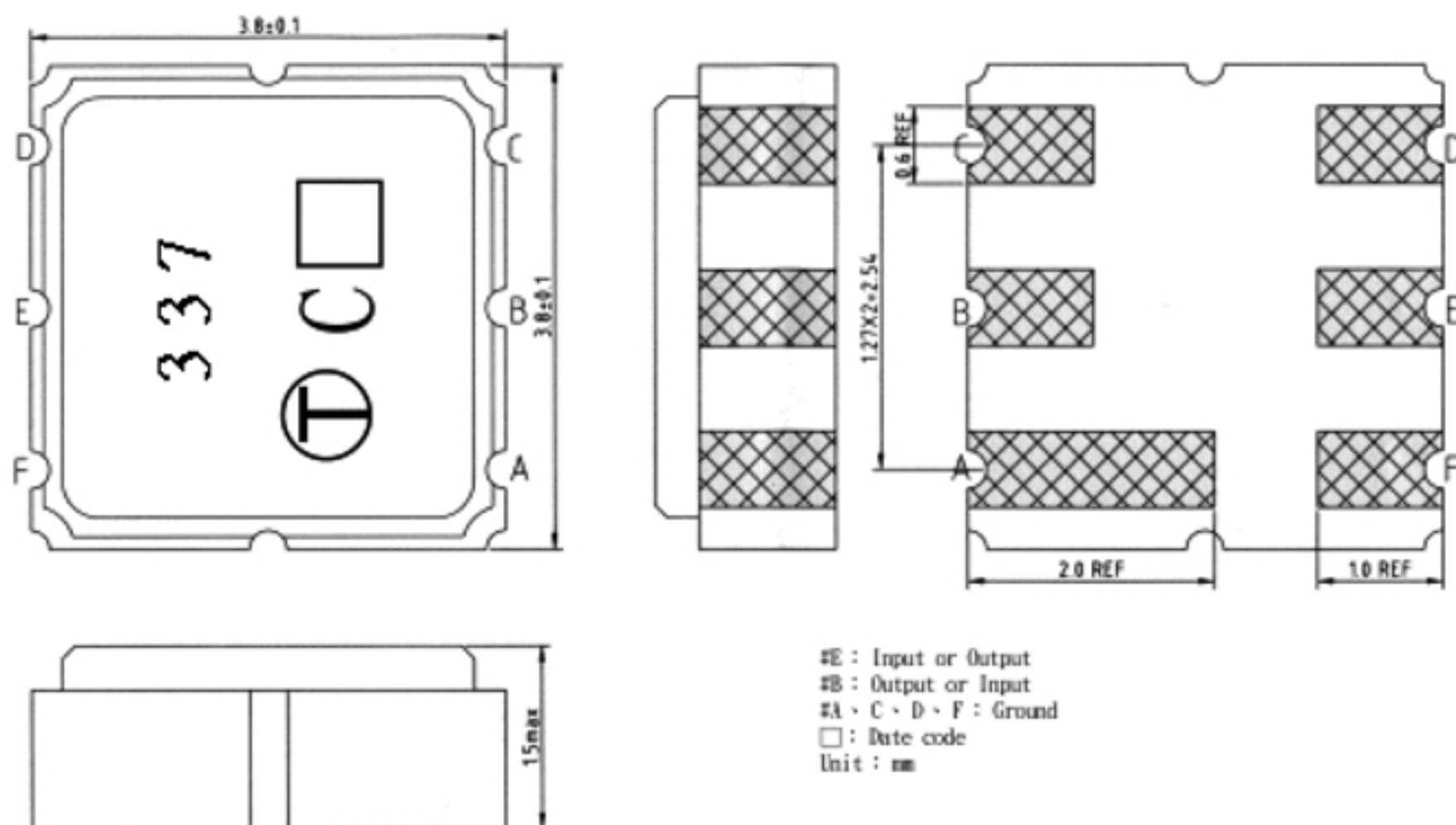
Characteristic	Units	Minimum	Typical	Maximum
Center frequency Fr	MHz	999.950	1000	1000.050
Insertion Loss IL	dB	-	1.75	2.3
Equivalent Elements				
Motional capacitance C1	fF	-	0.92	-
Motional inductance L1	μH	-	27.5	-
Motional resistance R1	Ohm	-	21.5	-
Parallel capacitance Co	pF	-	2.11	-
Temp.coeff.	ppm/c*2	-	0.032	-
Turnover To	deg.C	-	25	-
Package size		SMD 3.8X3.8X1.4mm		

D. EQUIVALENT CIRCUIT:

One-Port Resonator:



E. OUTLINE DRAWING:



△ Product Year Code

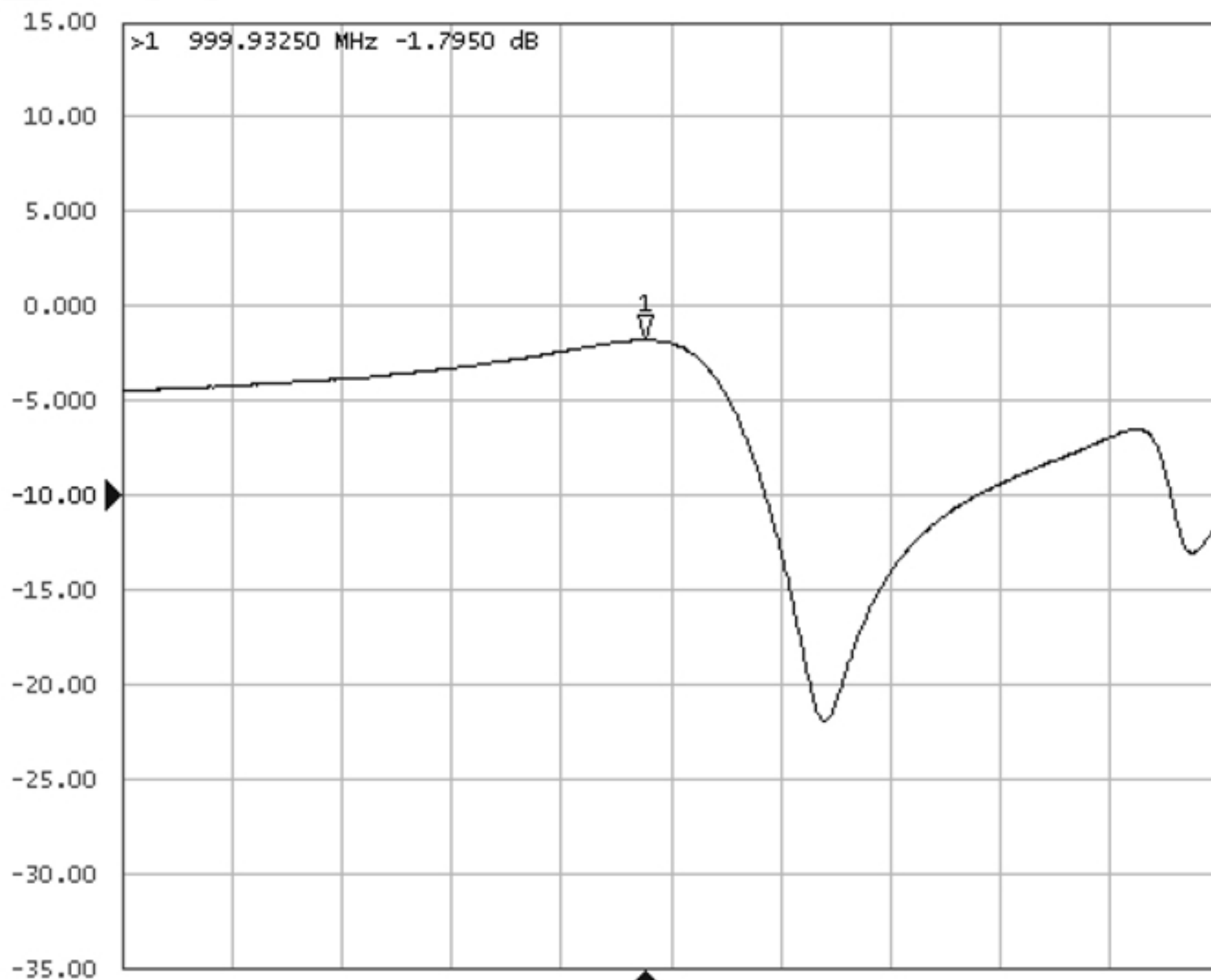
Year	2009 2013 2017	2010 2014 2018	2011 2015 2019	2012 2016 2020
Product Code	C	c	C	c

□ Date Code Table:

WK01	WK02	WK03	WK04	WK05	WK06	WK07	WK08	WK09	WK10	WK11	WK12	WK13
A	B	C	D	E	F	G	H	I	J	K	L	M
WK14	WK15	WK16	WK17	WK18	WK19	WK20	WK21	WK22	WK23	WK24	WK25	WK26
N	O	P	Q	R	S	T	U	V	W	X	Y	Z
WK27	WK28	WK29	WK30	WK31	WK32	WK33	WK34	WK35	WK36	WK37	WK38	WK39
a	b	c	d	e	f	g	h	i	j	k	l	m
WK40	WK41	WK42	WK43	WK44	WK45	WK46	WK47	WK48	WK49	WK50	WK51	WK52
n	o	p	q	r	s	t	u	v	w	x	y	z

F. FREQUENCY CHARACTERISTICS

▶ **[F1]** S21 Log Mag 5.000dB/ Ref -10.00dB [F2]

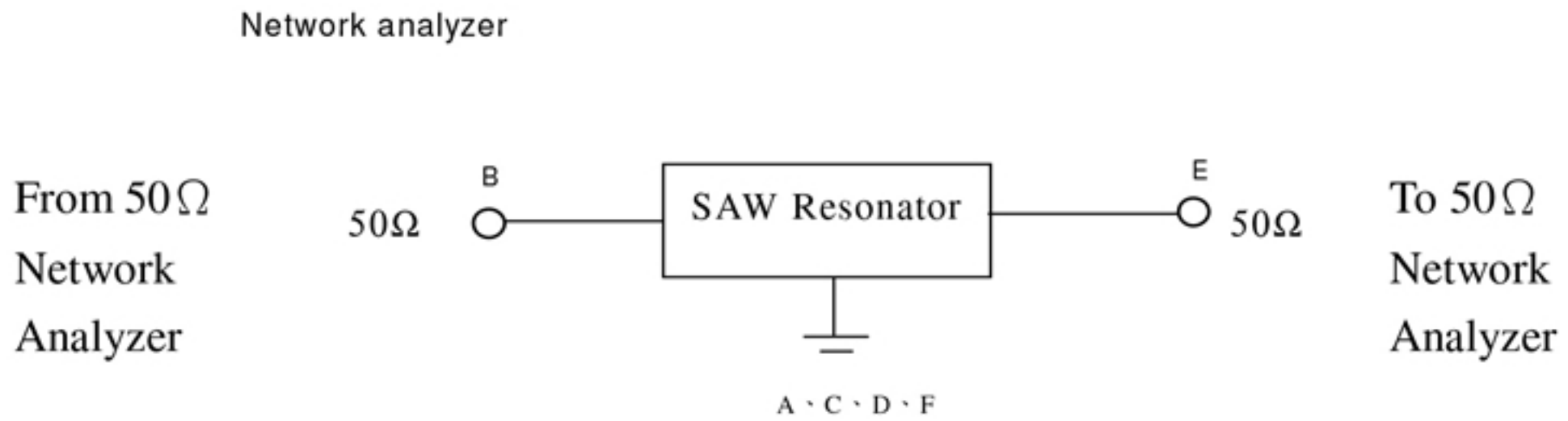


Center 1 GHz

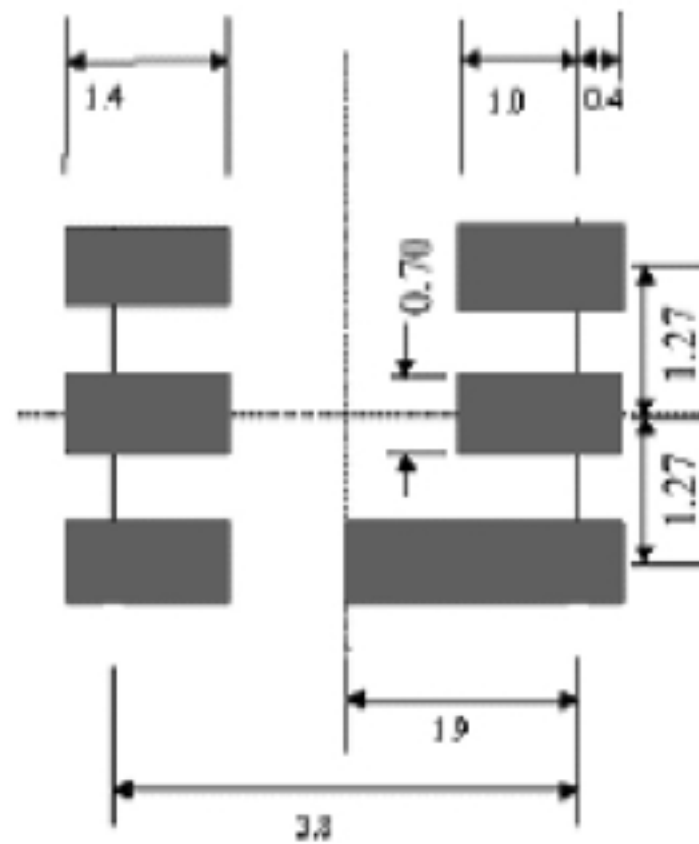
IFBW 70 kHz

Span 3 MHz Cor !

G. TEST CIRCUIT:

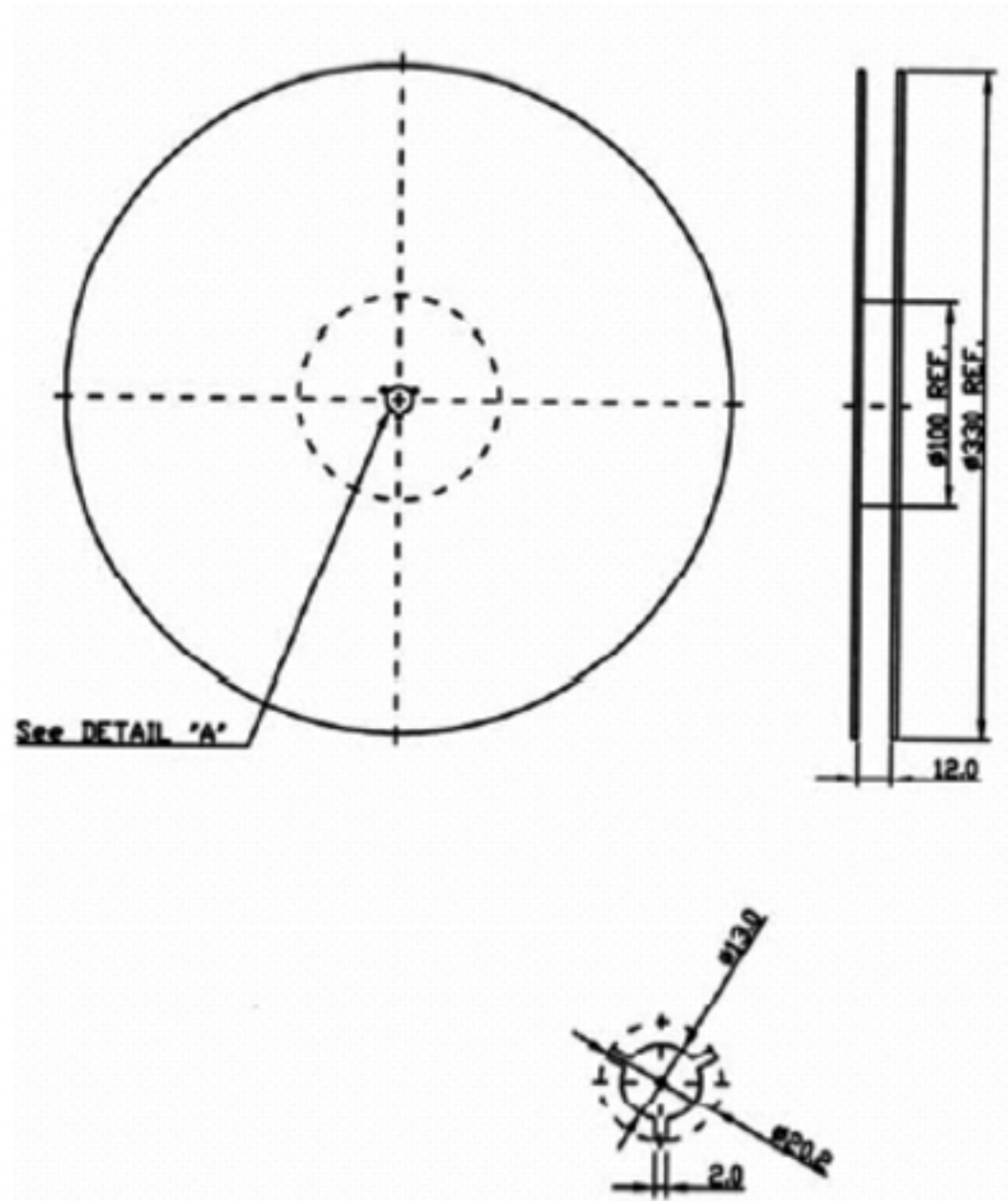


H. LAND PATTERN:

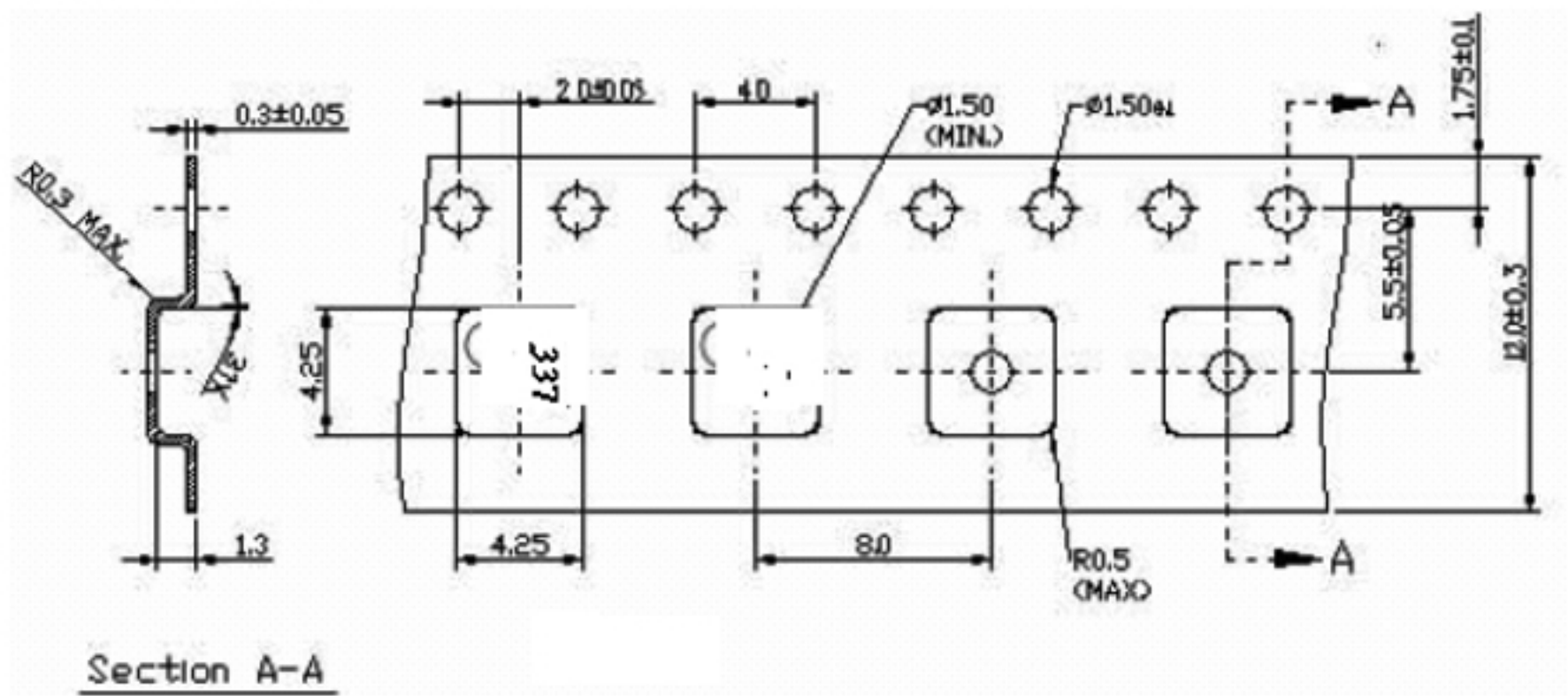


I. PACKING:

1. REEL DIMENSION



2. TAPE DIMENSION



J. RECOMMENDED REFLOW PROFILE:

