

# SAW Resonator 868.98 MHz

MODEL NO.: TC0326A

REV. NO.: 1.0

## A. FEATURES:

- 1-Port Resonator.

## B. MAXIMUM RATING:

1. Input Power Level: 0 dBm
2. DC voltage: 5 V
3. Operating Temperature: -40°C to +85°C
4. Storage Temperature: -40°C to +85°C

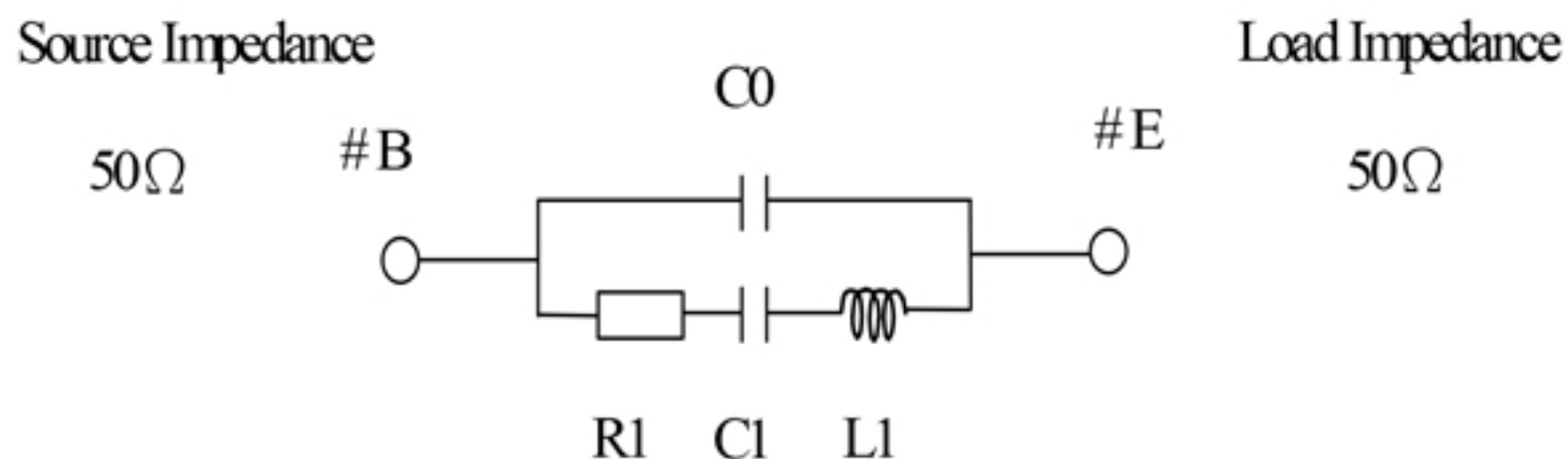
RoHS Compliant  
Lead free  
Lead-free soldering

## C. ELECTRICAL CHARACTERISTICS:

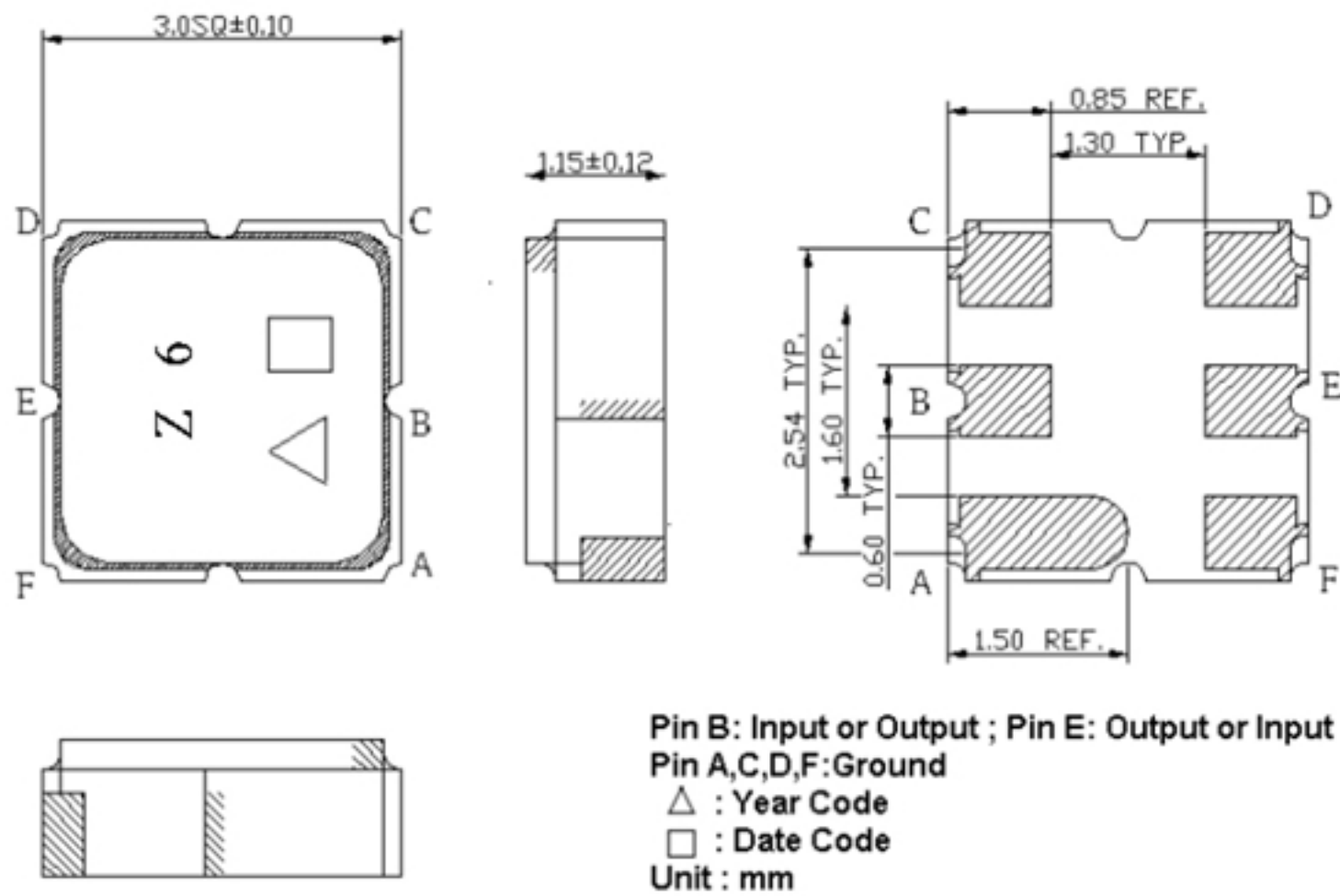
Characteristic	Units	Minimum	Typical	Maximum
Center frequency <b>Fr</b>	<b>MHz</b>	868.905	868.98	869.055
Insertion Loss <b>IL</b>	<b>dB</b>	-	1.1	2.0
Equivalent Elements				
Motional capacitance <b>C1</b>	<b>fF</b>	-	0.97	-
Motional inductance <b>L1</b>	$\mu$ <b>H</b>	-	34.64	-
Motional resistance <b>R1</b>	<b>Ohm</b>	-	21.93	-
Parallel capacitance <b>Co</b>	<b>pF</b>	-	2.25	-
Temp. coeff.	<b>ppm/c*2</b>	-	0.032	-
Turnover To	<b>deg.C</b>	-	25	-
Package size		SMD 3.0X3.0X1.4mm		

## D. EQUIVALENT CIRCUIT:

One-Port Resonator:



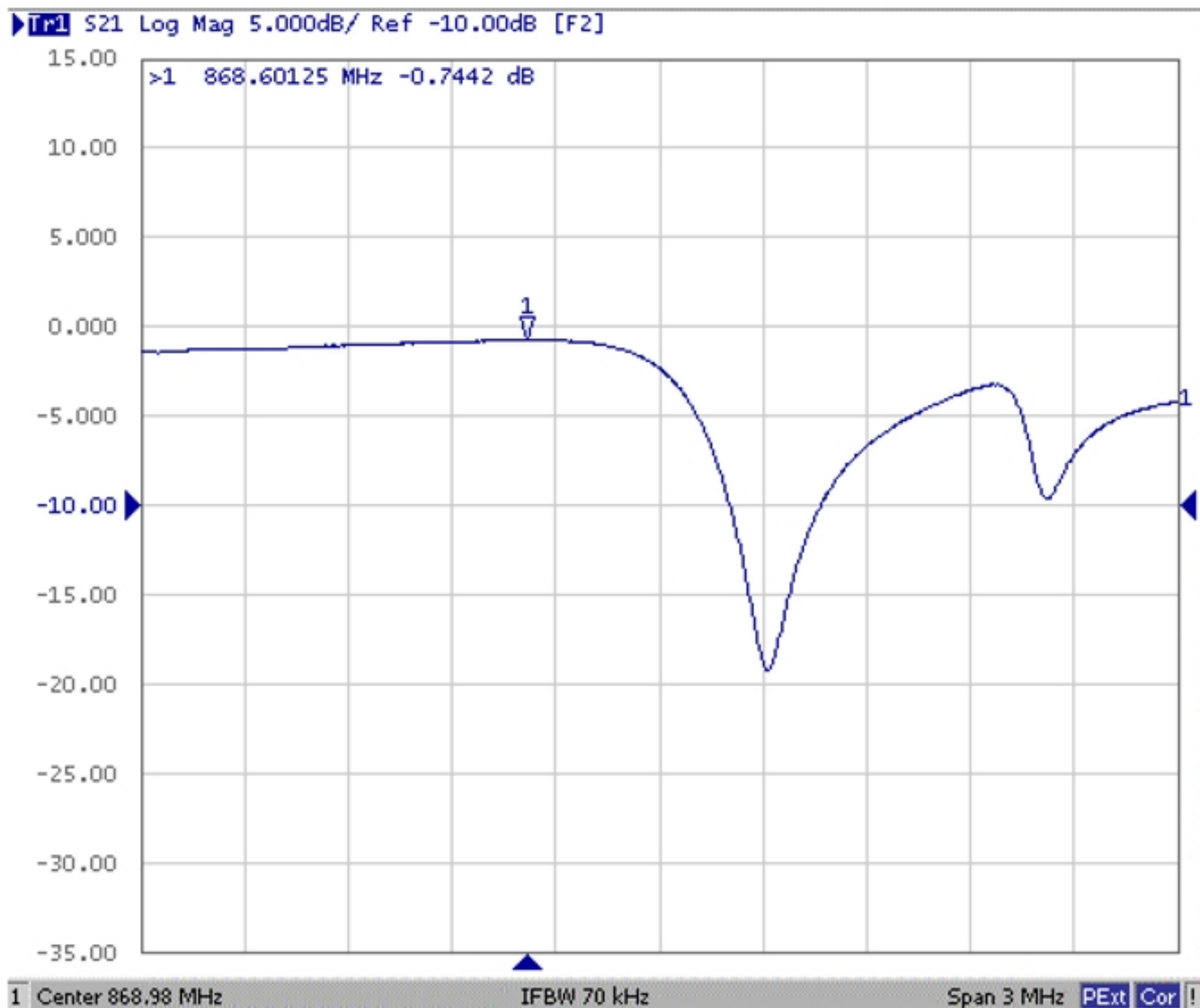
## E. OUTLINE DRAWING:



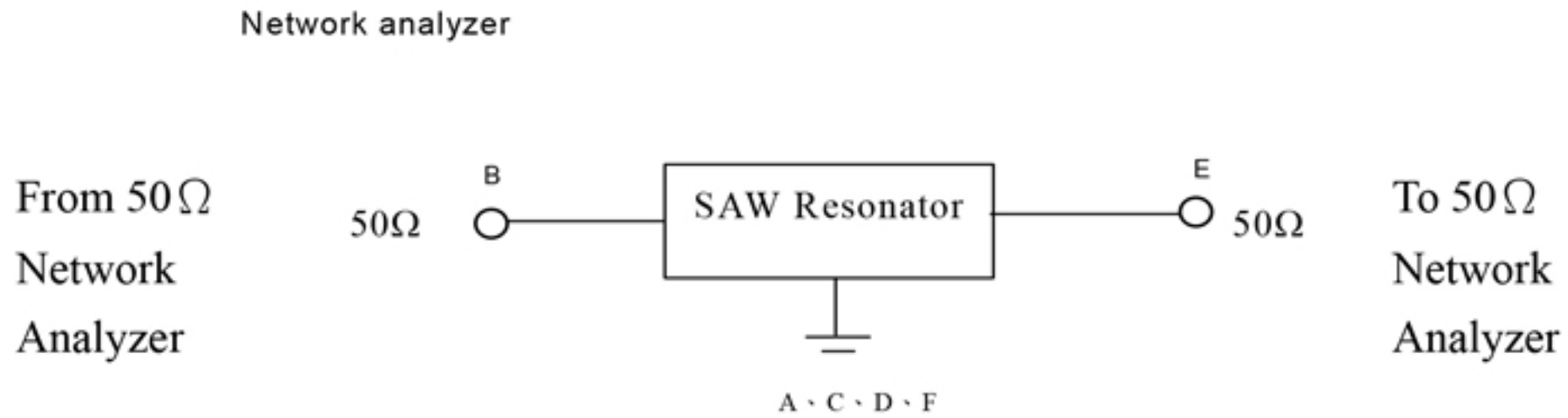
Date code: Provided by planer each year

Year code: 6 for 2006, 7 for 2007, ...

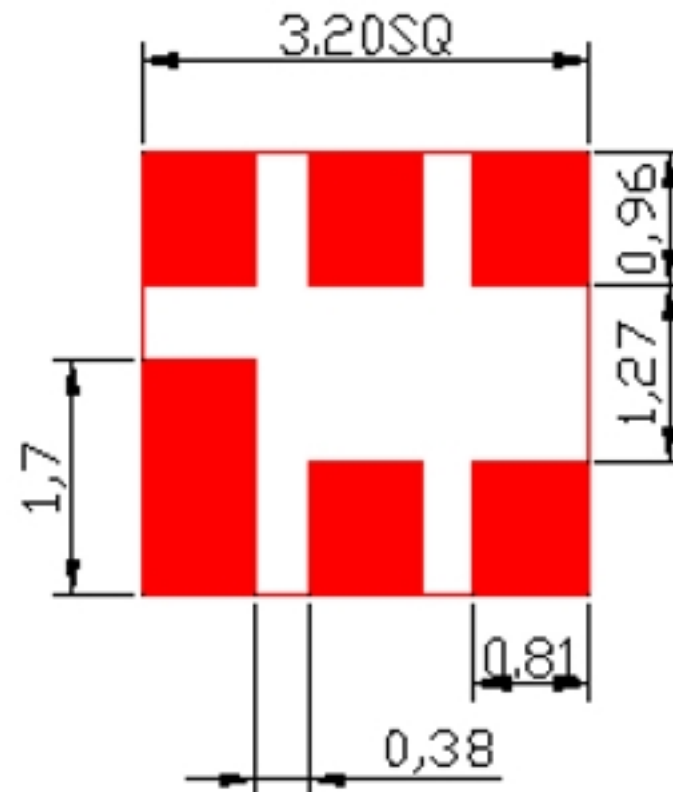
## F. FREQUENCY CHARACTERISTICS



## G. TEST CIRCUIT:

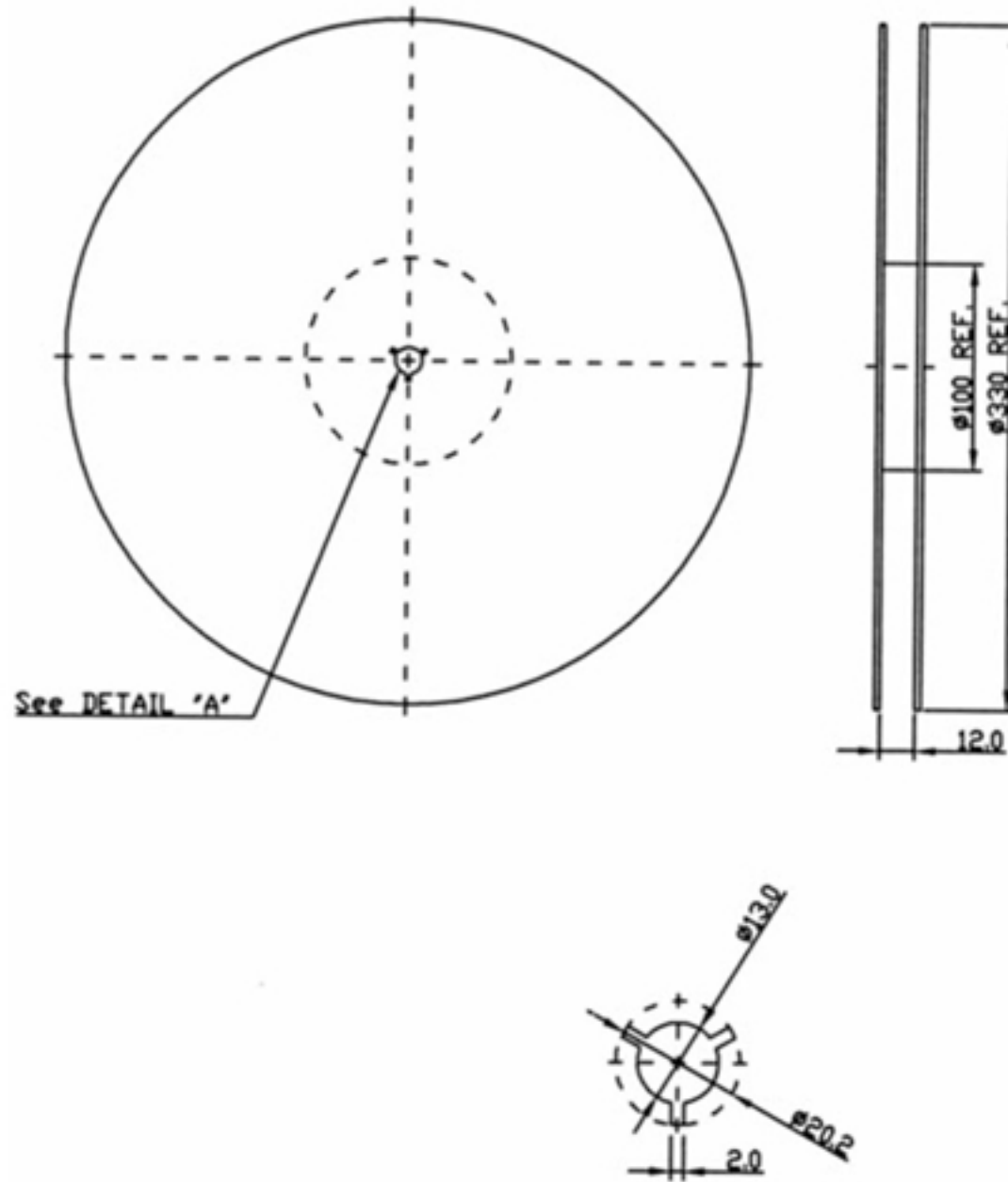


## H. LAND PATTERN:

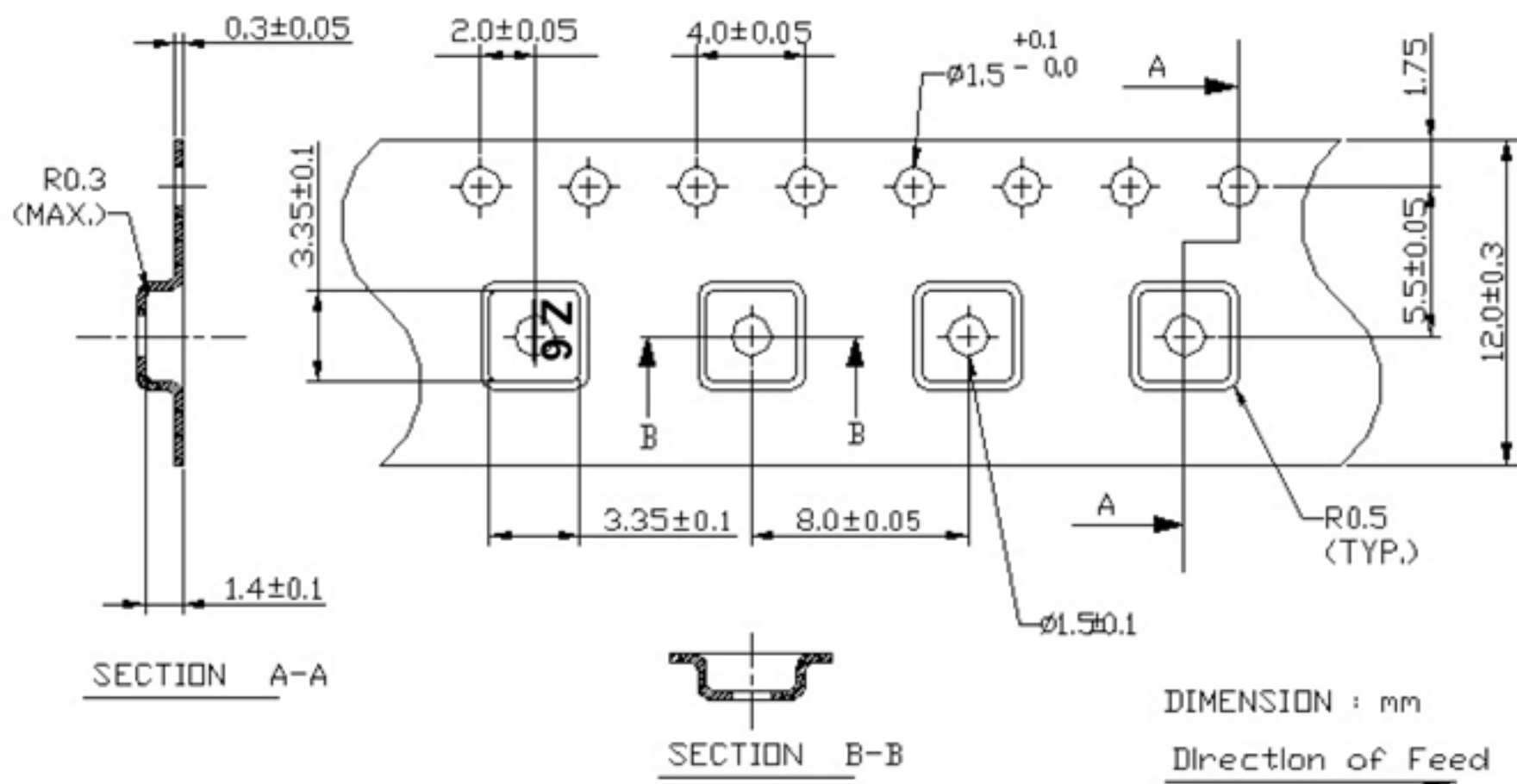


# I. PACKING:

## 1. REEL DIMENSION



## 2. TAPE DIMENSION



## J. RECOMMENDED REFLOW PROFILE:

