



TAI-SAW TECHNOLOGY CO., LTD.

No. 3, Industrial 2nd Rd., Ping-Chen Industrial District,
Taoyuan, 324, Taiwan, R.O.C.

TEL: 886-3-4690038 FAX: 886-3-4697532

E-mail: tstsales@mail.taisaw.com Web: www.taisaw.com


Product Specification Approval Sheet

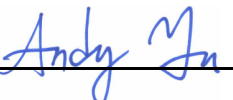
Product Name: SAW Filter 1592.5 MHz 43MHz BW SMD 3.0X3.0 mm

TST Parts No.: TA0676B

Customer Parts No.: _____

Customer signature required
Company: _____
Division: _____
Approved by : _____
Date: _____

Checked by: _____ Anne Chen 

Approved by: _____ Andy Yu 

Date: _____ 01, 11, 2019

1. Customer signed back is required before TST can proceed with sample build and receive orders.
2. Orders received without customer signed back will be regarded as agreement on the specifications.
3. Any specifications changes must be approved upon by both parties and a new revision of specifications shall be released to reflect the changes.



TAI-SAW TECHNOLOGY CO., LTD.

No. 3, Industrial 2nd Rd., Ping-Chen Industrial District,
Taoyuan, 324, Taiwan, R.O.C.

TEL: 886-3-4690038 FAX: 886-3-4697532

E-mail: tstsales@mail.taisaw.com Web: www.taisaw.com

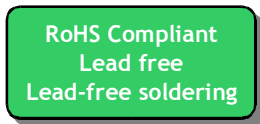
SAW Filter 1592.5 MHz 43MHz BW SMD 3.0X3.0 mm

MODEL NO.:TA0676B

REV. NO.:2

A1. MAXIMUM RATING:

1. Input Power Level: 10 dBm
2. DC Voltage : 3V
3. Operating Temperature: -30°C to +70°C
4. Storage Temperature: -55°C to +90°C
5. Moisture Sensitivity Level: Level 1 (MSL 1)
6. ESD 50V(MM) 100V(HBM)



Electrostatic Sensitive Device (ESD)

B. ELECTRICAL CHARACTERISTICS:

Item	Unit	Min.	Type.	Max.	Note
Center Frequency Fc	MHz	-	1592.5	-	-
Insertion Loss (1571 ~ 1614 MHz) IL	dB	-	2.6	3.5	-
Amplitude Ripple (1571 ~ 1614 MHz)	dB	-	1.3	2	-
Bandwidth @ -2dB	dB	43	49	-	-
Bandwidth @ -20dB	dB	-	74	120	-
Bandwidth @ -35dB	dB	-	88	140	-
Attenuation (Reference level from 0 dB)					
D.C. ~ 1522.5 MHz	dB	28	34	-	-
1662.5 ~ 3000 MHz	dB	30	38	-	-



TAI-SAW TECHNOLOGY CO., LTD.

No. 3, Industrial 2nd Rd., Ping-Chen Industrial District,
Taoyuan, 324, Taiwan, R.O.C.

TEL: 886-3-4690038 FAX: 886-3-4697532

E-mail: tstsales@mail.taisaw.com Web: www.taisaw.com

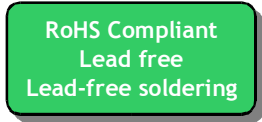
SAW Filter 1592.5 MHz 43MHz BW SMD 3.0X3.0 mm

MODEL NO.:TA0676B

REV. NO.:2

A2. MAXIMUM RATING:

- 3. Input Power Level: 10 dBm
- 4. DC Voltage : 3V
- 3. Operating Temperature: -40°C to +90°C
- 5. Storage Temperature: -55°C to +90°C
- 5. Moisture Sensitivity Level: Level 1 (MSL 1)
- 7. ESD 50V(MM) 100V(HBM)



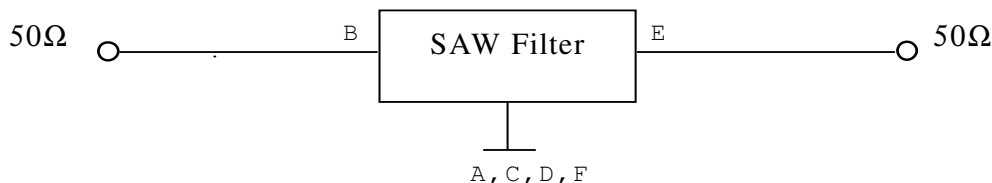
Electrostatic Sensitive Device (ESD)

B. ELECTRICAL CHARACTERISTICS:

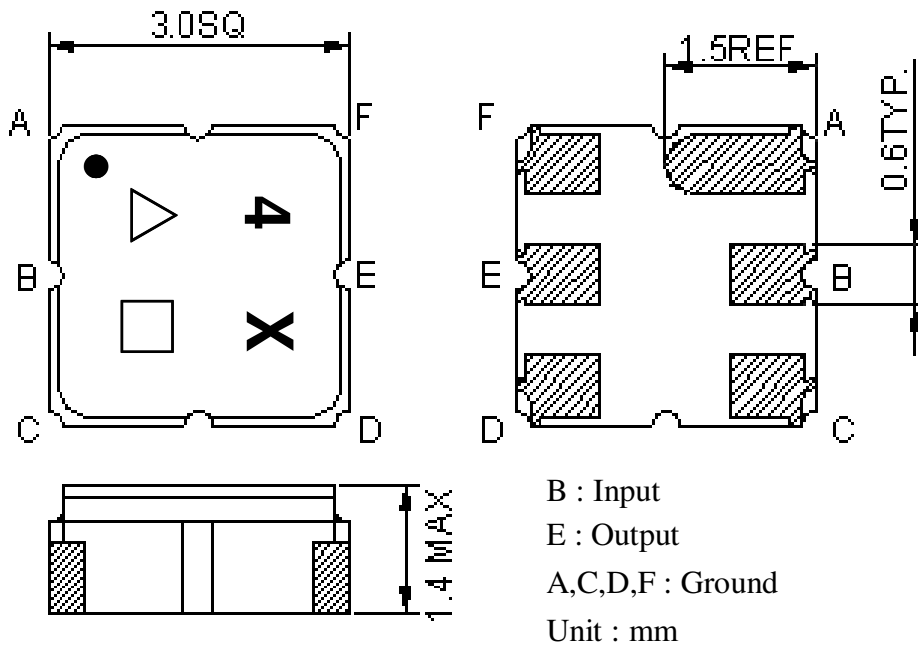
Item	Unit	Min.	Type.	Max.	Note
Center Frequency Fc	MHz	-	1592.5	-	-
Insertion Loss (1571 ~ 1614 MHz) IL	dB	-	2.6	4.0	-
Amplitude Ripple (1571 ~ 1614 MHz)	dB	-	1.3	2.5	-
Bandwidth @ -2dB	dB	43	49	-	-
Bandwidth @ -20dB	dB	-	74	120	-
Bandwidth @ -35dB	dB	-	88	140	-
Attenuation (Reference level from 0 dB)					
D.C. ~ 1522.5 MHz	dB	28	34	-	-
1662.5 ~ 3000 MHz	dB	30	38	-	-

C. MEASUREMENT CIRCUIT:

HP Network analyzer



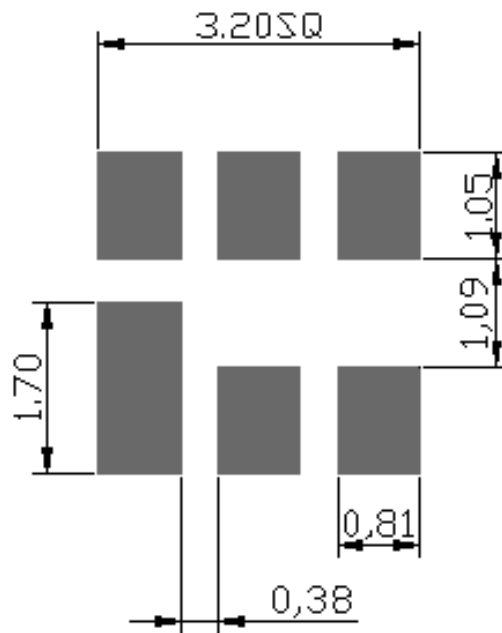
D.OUTLINE DRAWING:



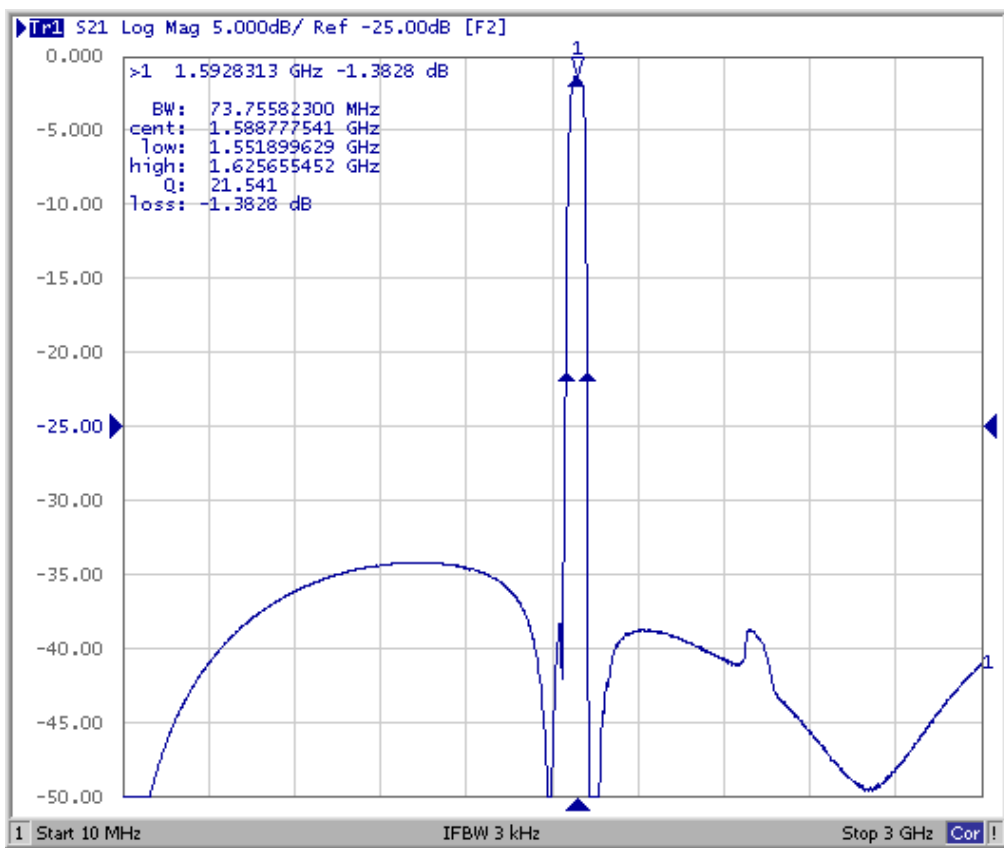
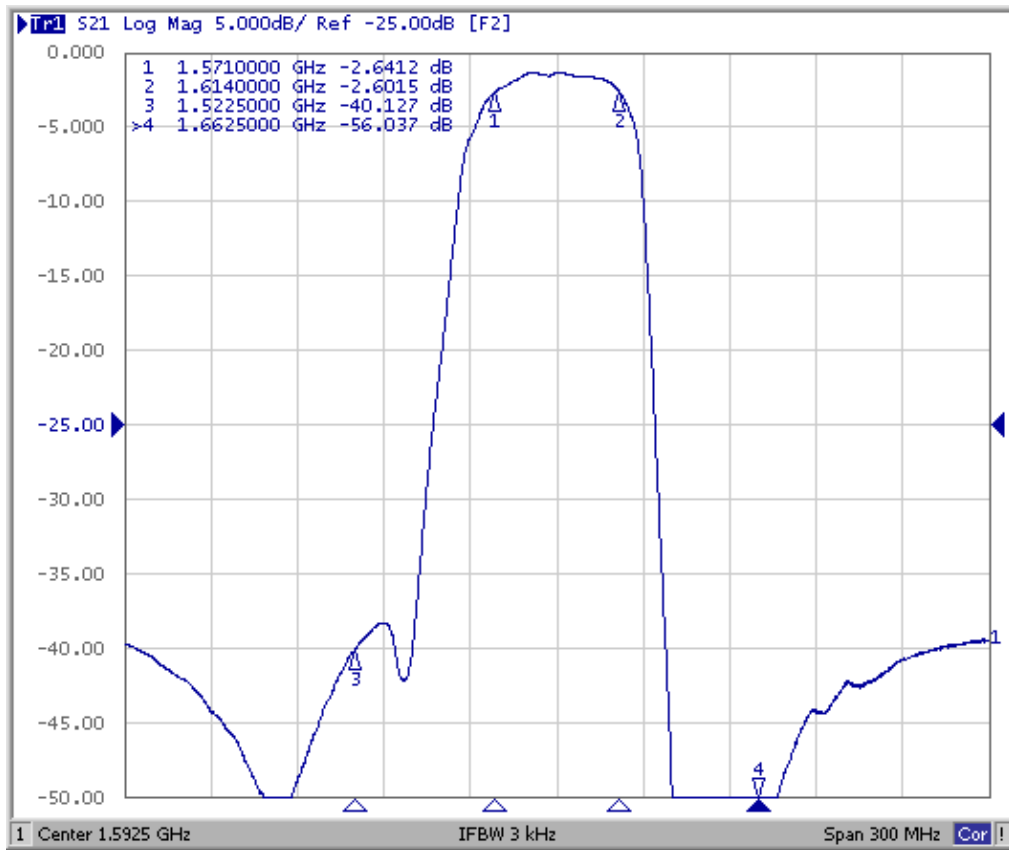
△ : Year Code (2006->6, ..., 2009->9)

□ : Date Code (Follow the table from planner each year)

E. PCB Footprint:

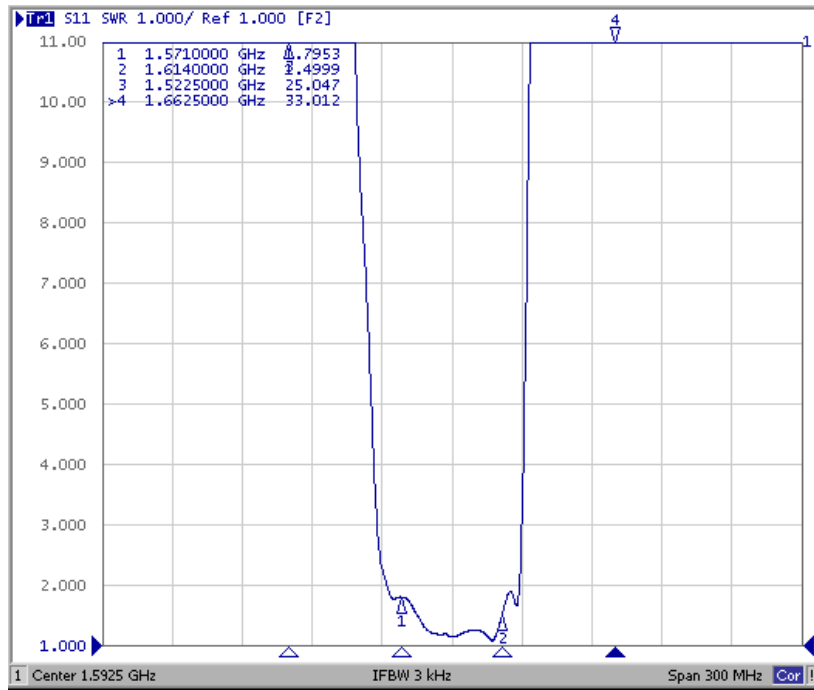


F. Frequency Characteristics :

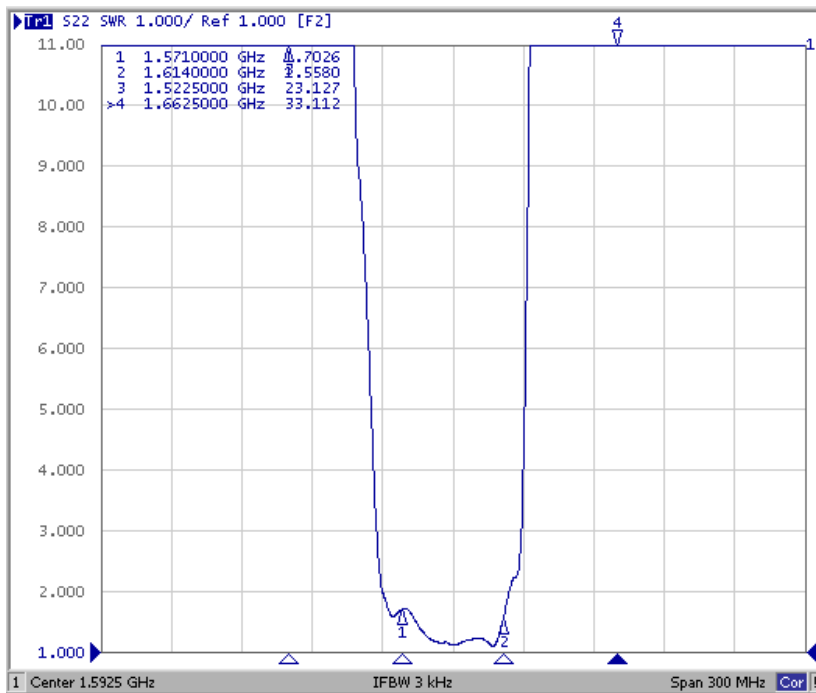


Reflection Functions :

S11



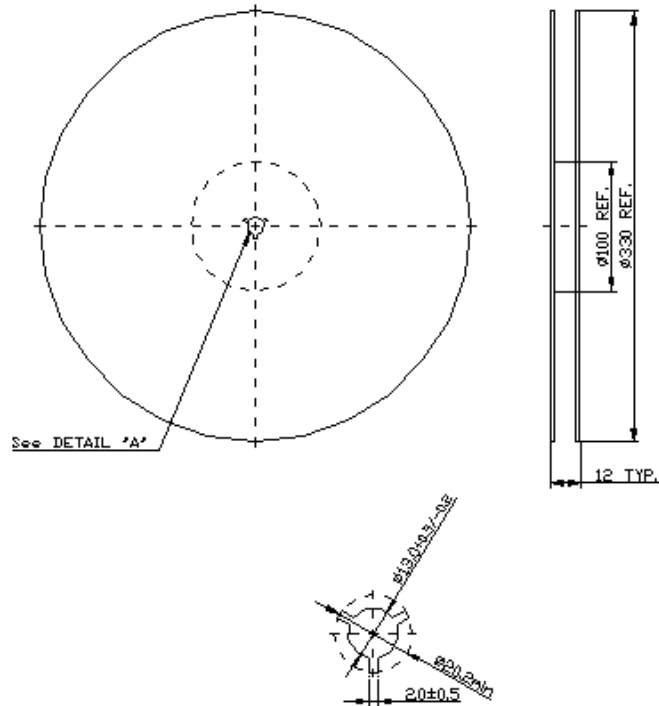
S22



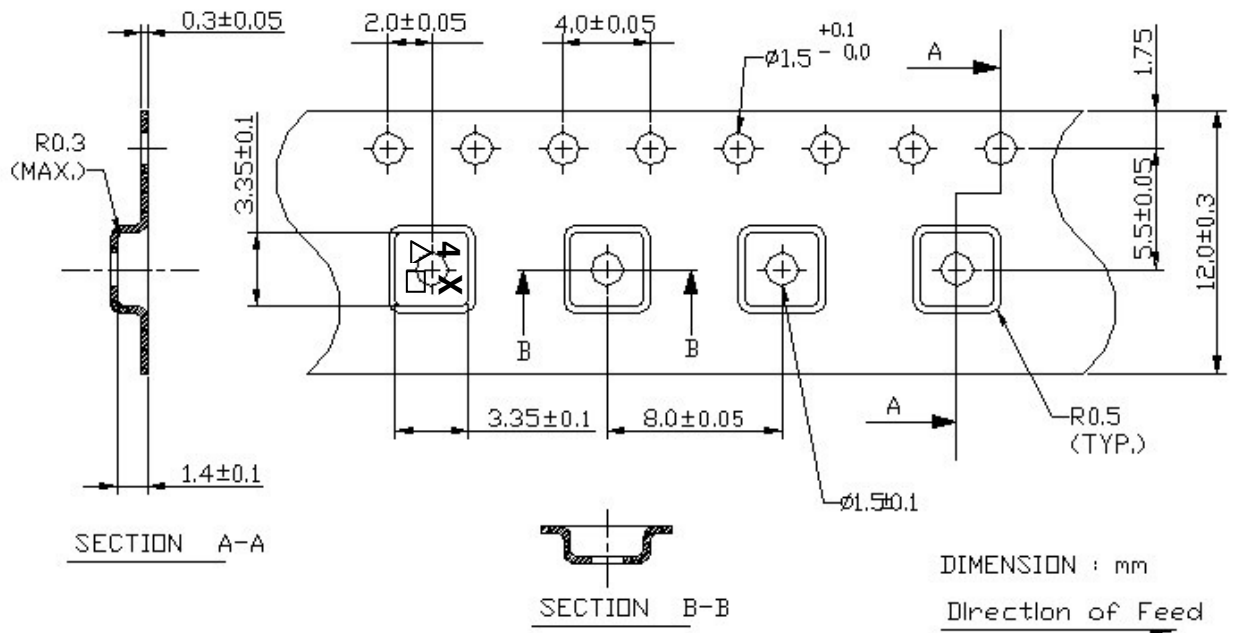
G. PACKING:

1. REEL DIMENSION

(Please refer to FR-75D10 for packing quantity)



2. TAPE DIMENSION



H. RECOMMENDED REFLOW PROFILE :

1. Preheating shall be fixed at 150~180°C for 60~90 seconds.
2. Ascending time to preheating temperature 150°C shall be 30 seconds min.
3. Heating shall be fixed at 220°C for 50~80 seconds and at 245~260°C peak (min. 10sec).
4. Time : 2 times.

