



TAI-SAW TECHNOLOGY CO., LTD.

No. 3, Industrial 2nd Rd., Ping-Chen Industrial District,
Taoyuan, 324, Taiwan, R.O.C.

TEL: 886-3-4690038 FAX: 886-3-4697532

E-mail: ttsales@mail.taisaw.com Web: www.taisaw.com

Product Specifications Approval Sheet

Product Name: SAW Filter 460MHz SMD 5.0x5.0mm

TST Parts No.:TA0312A

Customer Parts No.:_____

Customer signature required
Company:_____
Division:_____
Approved by :_____
Date:_____

Checked by:_____ Anne Chen 

Approval by:_____ Andy Yu 

Date:_____ 2019/07/22

1. Customer signed back is required before TST can proceed with sample build and receive orders.
2. Orders received without customer signed back will be regarded as agreement on the specifications.
3. Any specifications changes must be approved upon by both parties and a new revision of specifications shall be released to reflect the changes.

SAW Filter 460 MHz

MODEL NO.: TA0312A

REV. NO.:3.0

A. MAXIMUM RATING:

1. Input Power Level: 10 dB_m
2. DC voltage: 3 V
3. Operating Temperature: -40°C to +85°C
4. Storage Temperature: -40°C to +85°C
5. Moisture Sensitivity Level: Level 1(MSL1)

 RoHS Compliant
 Lead free
 Lead-free soldering

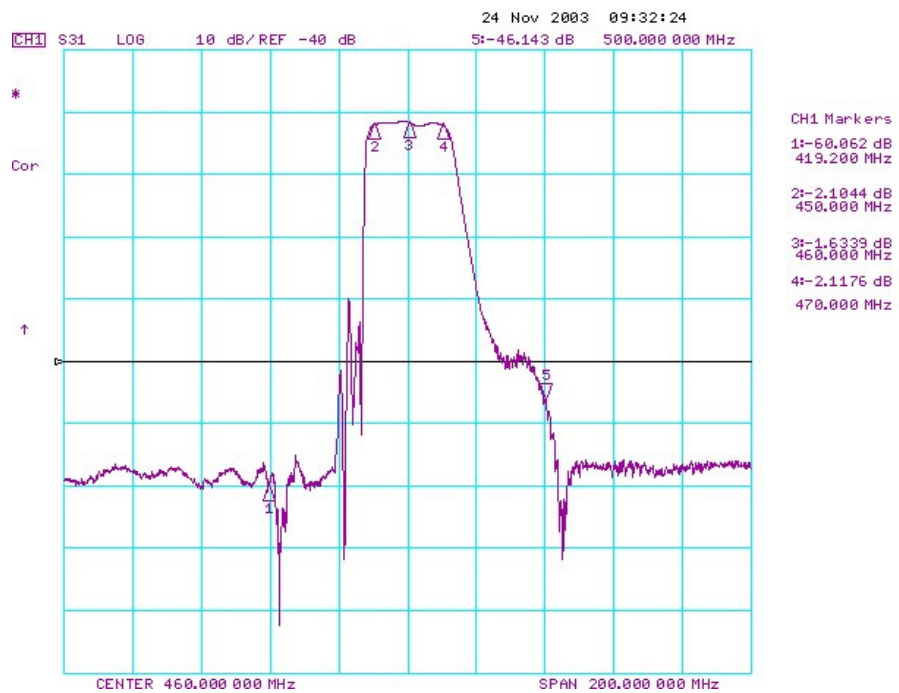
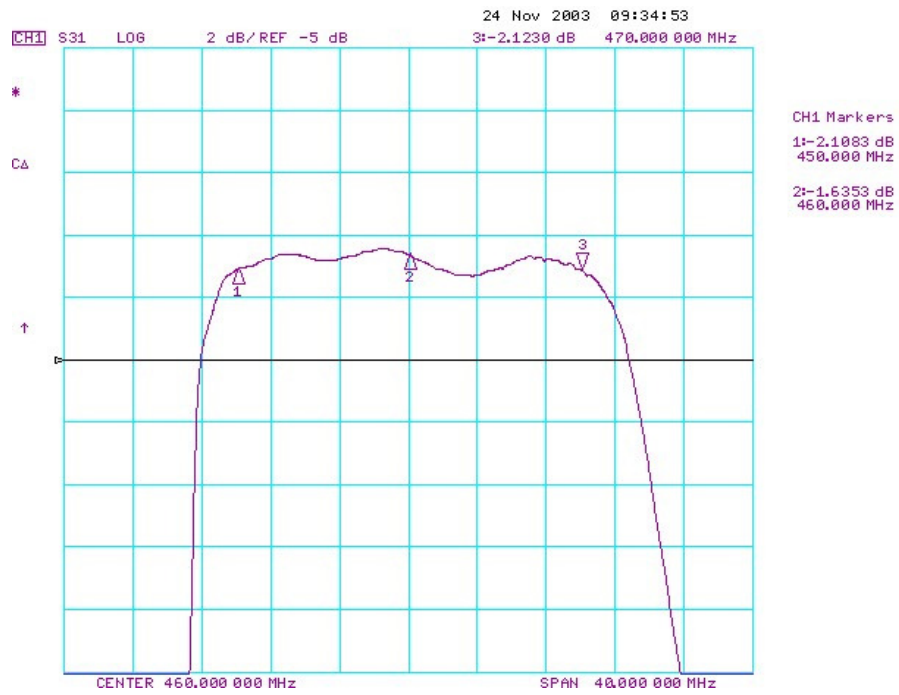
Electrostatic Sensitive Device

B. ELECTRICAL CHARACTERISTICS:

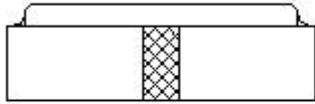
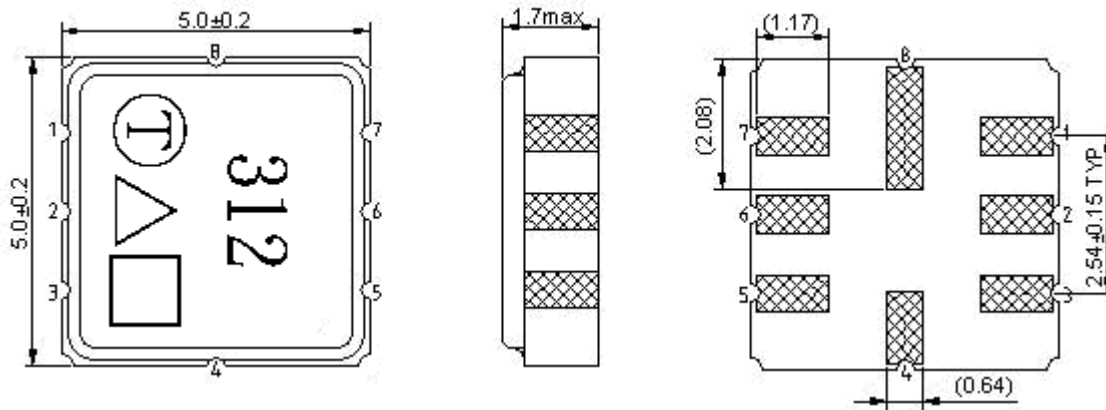
Item	Unit	Min.	Type.	Max.	
Center frequency F _c	MHz	-	460	-	
Insertion Loss IL _{min} (reference level)	dB	-	1.5	3.0	
1dB Bandwidth BW _{-1dB}	MHz	-	21.6	-	
3dB Bandwidth BW _{-3dB}	MHz	20	24.5	-	
Absolute Attenuation:(Reference level from 0dB)					
F _c -40.8 to F _c -100	MHz	dB	42	57	-
F _c +40 to F _c +100	MHz	dB	40	46	-
Source impedance Z _s	Ω	-	50	-	
Load impedance Z _L	Ω	-	50	-	

Note: IL_{min} is the minimum of the pass band attenuation. The center frequency F_c is the mean value of the upper and lower frequencies at the 3dB filter attenuation level relative to the IL_{min}.

C. Frequency Characteristics :



D. OUTLINE DRAWING:



#2 : Input
 #6 : Output
 #1、3、4、5、7、8 : Ground
 △ : Year code
 □ : Date code
 Unit : mm

Product / Year Code- 4year cycle

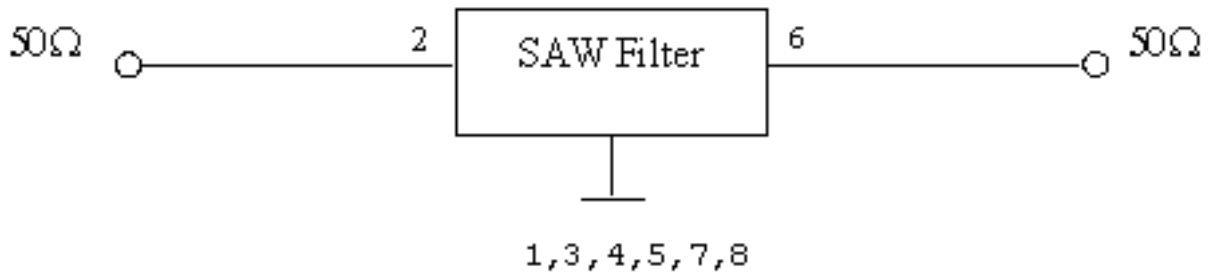
Year	2017 2021	2018 2022	2019 2023	2020 2024
Product Code	A	a	<u>A</u>	<u>a</u>

Week Code Table

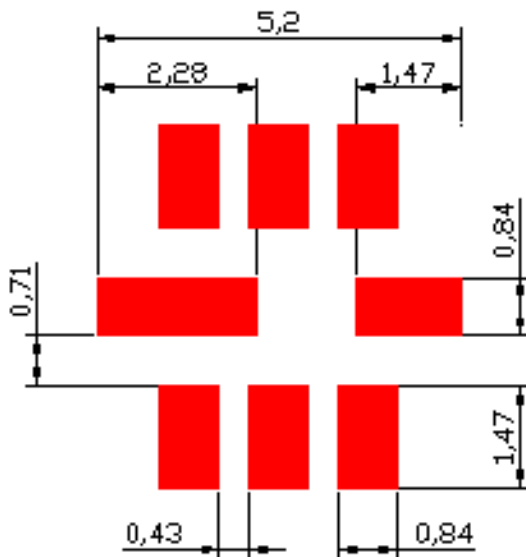
WK01	WK02	WK03	WK04	WK05	WK06	WK07	WK08	WK09	WK10	WK11	WK12	WK13
A	B	C	D	E	F	G	H	I	J	K	L	M
WK14	WK15	WK16	WK17	WK18	WK19	WK20	WK21	WK22	WK23	WK24	WK25	WK26
N	O	P	Q	R	S	T	U	V	W	X	Y	Z
WK27	WK28	WK29	WK30	WK31	WK32	WK33	WK34	WK35	WK36	WK37	WK38	WK39
a	b	c	d	e	f	g	h	i	j	k	l	m
WK40	WK41	WK42	WK43	WK44	WK45	WK46	WK47	WK48	WK49	WK50	WK51	WK52
n	o	p	q	r	s	t	u	v	w	x	y	z

E. MEASUREMENT CIRCUIT:

HP Network analyzer

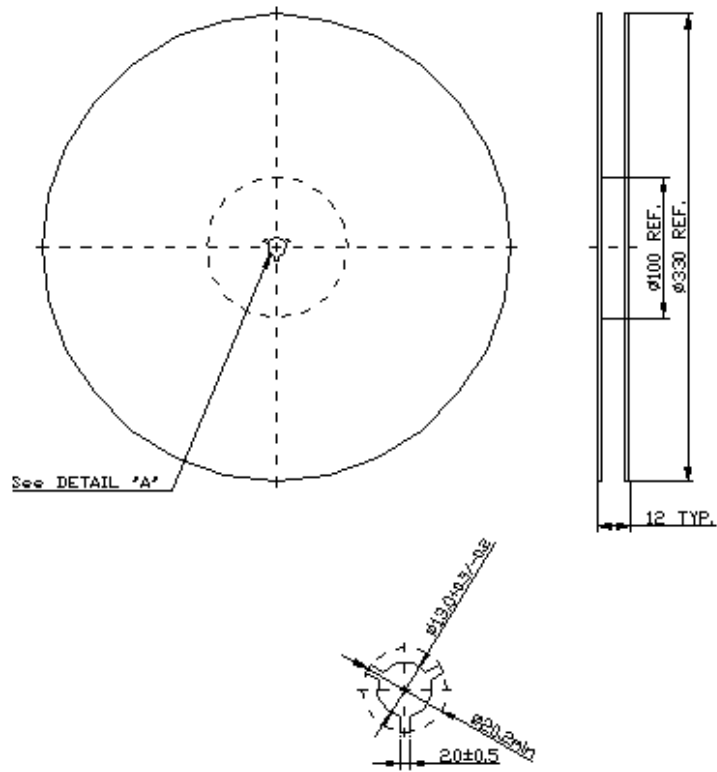


F. PCB FOOTPRINT:

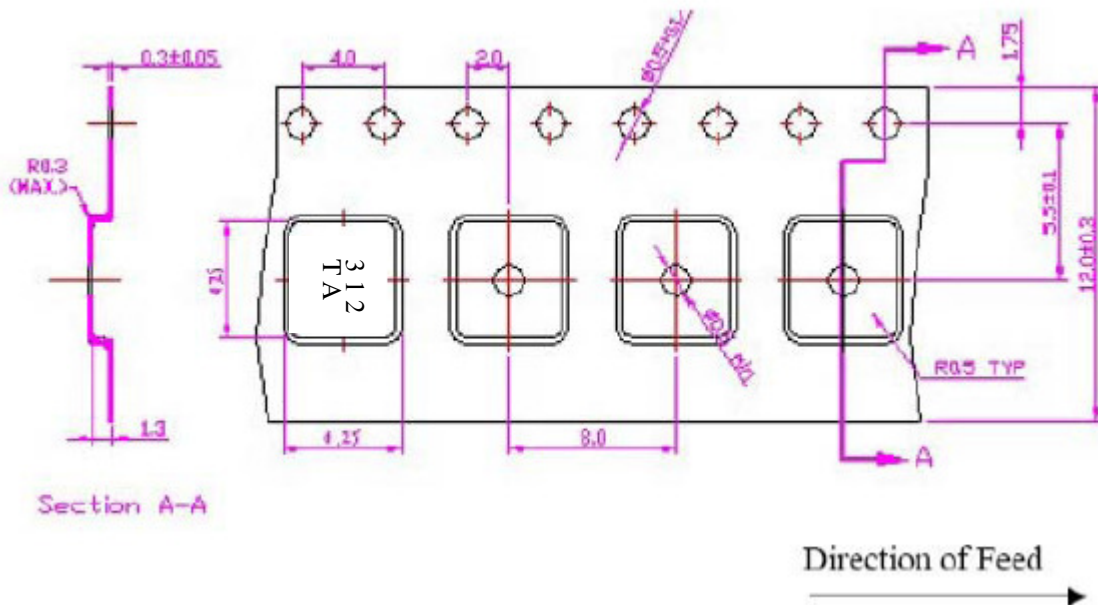


G. PACKING:

1. REEL DIMENSION



2. TAPE DIMENSION



H. RECOMMENDED REFLOW PROFILE :

1. Preheating shall be fixed at 150~180°C for 60~90 seconds.
2. Ascending time to preheating temperature 150°C shall be 30 seconds min.
3. Heating shall be fixed at 220°C for 50~80 seconds and at 260°C +0/-5°C peak (20~40sec).
4. Time: 2 times.

