

TOL-K9EUE3D

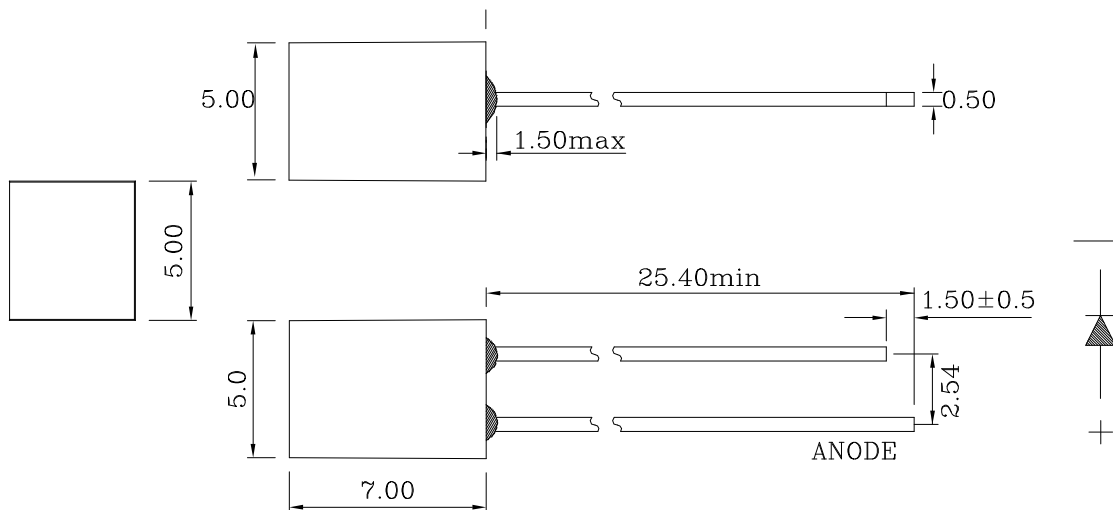
Lamp LED

Part Number	Chip		Lens Color
	Material	Source Color	
TOL-K9EUE3D	InGaN	Red	Red Diffused

Features

- I.C. compatible.
- Low power consumption.
- Compatible with wave soldering process.
- (5mm*5mm*7mm)diameter package.
- Long life, stable and reliable.
- RoHS compliant.

Dimensions



Notes:

1. All dimensions are in millimeter.
2. Tolerance is ± 0.25 mm unless otherwise noted

Absolute Maximum Rating @ Ta=25°C

Parameter	Maximum Rating	Unit
Peak Forward Current (1/10 Duty Cycle, 0.1ms Pulse Width)	100	mA
Power Dissipation	105	mW
Continuous Forward Current	20	mA
Reverse Voltage	5	V
Operating Temperature Range	-40°C to +80°C	
Storage Temperature Range	-40°C to +100°C	
Wave Soldering Profile For Lead Free Soldering	260°C for 5 Sec	

Electrical / Optical Characteristic @ Ta=25°C

Parameter	Symbol	Min.	Typ.	Max.	Unit	Test Condition
Luminous Intensity	I_v		30		mcd	$I_F=20\text{mA}$
Viewing Angle	$2\theta_{1/2}$		170		deg	$I_F=20\text{mA}$
Dominant Wavelength	λ_d		620		nm	$I_F=20\text{mA}$
Spectral Line Half-Width	$\Delta\lambda$		30		nm	$I_F=20\text{mA}$
Forward Voltage	V_F		2.0		V	$I_F=20\text{mA}$
Reverse Current	I_R			10	μA	$V_R=5\text{V}$

* Please refer to CIE 1931 chromaticity diagram.