

# ADL/ADP-A

6.3Ø x 32 mm

Time-Lag Fuse



### Agency Approvals

Agency	Ampere Rating
UL Listed	ADL: 200mA - 10A ADP-A: 200mA - 8A
Recognized Component for Canada and US	ADL: 10.1A - 30A ADP-A: 8.1A - 30A
CSA Certified	ADL: 200mA - 10A ADP-A: 200mA - 8A
PSE	ADL: 1A - 15A (250V) 1A - 5A (125V / 32V) ADP-A: 1A - 15A

### Interrupting Rating

200mA - 10A:	10,000 amperes at 125V AC
200mA - 1A:	35 amperes at 250V AC
1.2A - 3.5A:	100 amperes at 250V AC
3.75A - 30A:	200 amperes at 250V AC
10.1A - 30A:	1,000 amperes at 32V AC

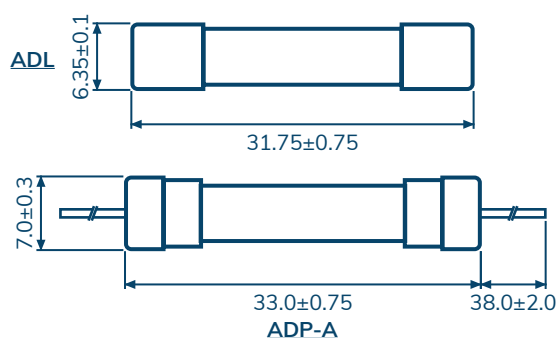
### Product Characteristics

<b>Operating Temperature</b>	-55 °C to 125 °C
<b>Material</b>	Body: Glass / Caps: Nickel Plated Brass
<b>Leads Wire</b>	Ø0.8 mm 12A and less. Ø1.0 mm for rating above 13A to 19A. Ø1.2 mm for rating above 20A.

### Packaging

Packaging Option	Quantity
Bulk	ADL: 500 pcs / box ADP-A: 250 pcs / box

### Mechanical Dimensions (mm)



### Electrical Characteristics

Ampere Rating	Opening Time			
	1 In MIN	1.35 In MAX	2 In	
	MIN	MAX	MIN	MAX
200mA - 3A	4 hr	1 hr	5 sec	120 sec
3.15A - 30A	4 hr	1 hr	12 sec	120 sec
Above 30A	4 hr	1 hr	12 sec	-

Catalog Number	Ampere Rating (A)	Voltage Rating (V)	Nominal Cold Resistance (Ohms)	Nominal Melting I <sup>2</sup> t (A <sup>2</sup> sec.)
ADL / ADP-A .200	200mA	250V	6.6545	0.1400
ADL / ADP-A .250	250mA		3.4490	0.1875
ADL / ADP-A .300	300mA		3.1170	0.7477
ADL / ADP-A .315	315mA		2.9595	0.7520
ADL / ADP-A .350	350mA		2.9590	0.9211
ADL / ADP-A .375	375mA		1.9532	1.0078
ADL / ADP-A .400	400mA		1.9175	1.0944
ADL / ADP-A .500	500mA		1.0522	4.5000
ADL / ADP-A .600	600mA		0.7820	5.2000
ADL / ADP-A .630	630mA		0.7300	5.6700
ADL / ADP-A .700	700mA		0.6042	7.0560
ADL / ADP-A .800	800mA		0.5074	10.620
ADL / ADP-A 001	1A		0.3445	16.740
ADL / ADP-A 1.25	1.25A		0.2234	25.290
ADL / ADP-A 1.50	1.5A		0.1947	33.840
ADL / ADP-A 1.60	1.6A		0.1707	37.260
ADL / ADP-A 1.75	1.75A		0.1401	77.220
ADL / ADP-A 002	2A		0.1101	106.56
ADL / ADP-A 2.50	2.5A		0.0822	136.60
ADL / ADP-A 2.80	2.8A		0.0660	142.20
ADL / ADP-A 003	3A		0.0648	202.50
ADL / ADP-A 3.15	3.15A		0.0600	203.10
ADL / ADP-A 3.20	3.2A		0.0585	237.77
ADL / ADP-A 3.50	3.5A		0.0504	340.10
ADL / ADP-A 004	4A		0.0399	360.00
ADL / ADP-A 005	5A		0.0301	498.64
ADL / ADP-A 006	6A		0.0216	857.22
ADL / ADP-A 6.30	6.3A		0.0197	928.35
ADL / ADP-A 007	7A		0.0167	999.48
ADL / ADP-A 7.50	7.5A		0.0163	1323.3
ADL / ADP-A 008	8A	0.0162	1910.1	
ADL / ADP-A 010	10A	0.0113	2426.7	
ADL / ADP-A 012	12A	0.0082	3393.7	
ADL / ADP-A 013	13A	0.0081	4277.7	
ADL / ADP-A 015	15A	0.0064	5561.0	
ADL / ADP-A 016	16A	0.0063	5760.0	
ADL / ADP-A 018	18A	0.0048	6872.4	
ADL / ADP-A 020	20A	0.0028	7560.0	
ADL / ADP-A 025	25A	0.0034	17663	
ADL / ADP-A 030	30A	0.0026	24300	