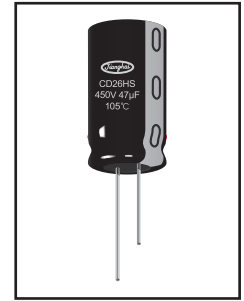


CD 26HS XS SERIES



5000h at 105°C

- 105°C long life, Ultra miniaturized
- High ripple current

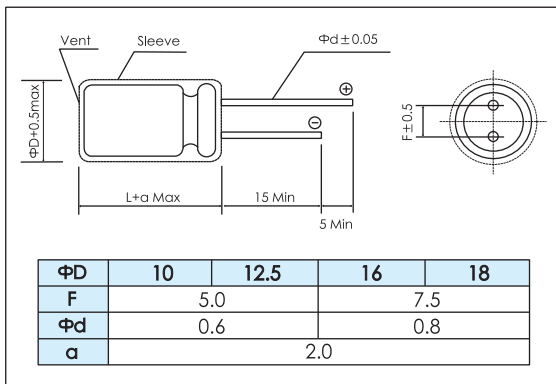


Items	Characteristics		
Operating Temperature Range (°C)	-25 ~ 105		
Rated Voltage (V)	400 ~ 450VDC		
Capacitance Range(μF)	33 ~220		
Capacitance Tolerance (20°C,120Hz)	± 20%		
Leakage Current (μA)	After 1 minutes at 20°C application of rated voltage, leakage current is not more than0.02CV C:Nominal Capacitance(μF) V:Rated Voltage(V)		
Dissipation Factor (20°C, 120Hz)	Rated Voltage (V)	400-420	450
	Tanδ(max)	0.15	0.12
Stability at Low Temperature (Impedance Ratio at 120Hz)	Rated Voltage (V)	400~450	
	Z(-25°C)/ Z(+20°C)	8	

Life Time	Useful Life		Load Life	Endurance Life	Shelf Life
		10000h	≥250000h	5000h	5000h
Leakage Current	Not more than specified value		Not more than specified value	Not more than specified value	Not more than specified value
Capacitance Change	Within ± 30% of initial value		Within ± 20% of initial value	Within ± 20% of initial value	Within ± 20% of initial value
Dissipation Factor	Not more than 300% of specified value		Not more than 200% of specified value	Not more than 300% of specified value	Not more than 200% of specified value
Condition: Applied Voltage Applied Current Applied Temperature Failure Rate Level	Ur Ir 105°C	Ur 1.2xIr 40°C	Ur Ir 105°C	Ur Ir=0 105°C	Ur=0 Ir=0 105°C After test: Ur to be applied for 30min >24h before measurement

Dimensions

mm



Frequency Coefficient

Frequency(Hz)	50/60	120	500	1K	≥10K	
Coefficient	400~450V	0.8	1	1.25	1.4	1.5

Temperature Coefficient

Temperature (°C)	+70	+85	+105
Coefficient	1.8	1.4	1.0

Ratings for CD 26HS XS Series

U_k (Surge Voltage) Code	Rated Capacitance	Max ESR 20°C, 120Hz	Rated Ripple Current 105°C, 120Hz	Size ΦD x L	P/N
(V)	(μF)	(Ω)	(mA _{rms})	(mm)	-
400 (450) 2G	39	5.1	370	10x40	ECR2GXS390M □□ 100040
	47	4.2	420	10x45	ECR2GXS470M □□ 100045
	56	3.6	470	10x50	ECR2GXS560M □□ 100050
	68	2.9	540	12.5x40	ECR2GXS680M □□ 125040
	82	2.4	610	12.5x45	ECR2GXS820M □□ 125045
	100	2.0	680	12.5x50	ECR2GXS101M □□ 125050
	100	2.0	710	16x31.5	ECR2GXS101M □□ 160031
	120	1.7	800	16x36	ECR2GXS121M □□ 160036
	150	1.3	920	16x40	ECR2GXS151M □□ 160040
	150	1.3	890	18x31.5	ECR2GXS151M □□ 180031
	180	1.1	1080	16x50	ECR2GXS181M □□ 160050
	180	1.1	1060	18x40	ECR2GXS181M □□ 180040
220	0.9	1200	18x46	ECR2GXS221M □□ 180046	
420 (470) 2X	39	5.1	360	10x40	ECR2XXS390M □□ 100040
	47	4.2	430	10x50	ECR2XXS470M □□ 100050
	56	3.6	480	12.5x40	ECR2XXS560M □□ 125040
	68	2.9	520	12.5x40	ECR2XXS680M □□ 125040
	82	2.4	590	12.5x45	ECR2XXS820M □□ 125045
	100	2.0	690	16x31.5	ECR2XXS101M □□ 160031
	120	1.7	780	16x36	ECR2XXS121M □□ 160036
	120	1.7	800	18x31.5	ECR2XXS121M □□ 180031
	150	1.3	940	16x45	ECR2XXS151M □□ 160045
	150	1.3	920	18x36	ECR2XXS151M □□ 180036
	180	1.1	1050	16x50	ECR2XXS181M □□ 160050
	180	1.1	1040	18x40	ECR2XXS181M □□ 180040
220	0.9	1220	18x50	ECR2XXS221M □□ 180050	
450 (500) 2W	33	4.8	340	10x40	ECR2WXS330M □□ 100040
	39	4.1	380	10x45	ECR2WXS390M □□ 100045
	47	3.4	440	12.5x40	ECR2WXS470M □□ 125040
	56	2.8	490	12.5x40	ECR2WXS560M □□ 125040
	68	2.3	550	12.5x45	ECR2WXS680M □□ 125045
	82	1.9	620	12.5x50	ECR2WXS820M □□ 125050
	82	1.9	640	16x31.5	ECR2WXS820M □□ 160031
	100	1.6	730	16x36	ECR2WXS101M □□ 160036
	120	1.3	820	16x40	ECR2WXS121M □□ 160040
	120	1.3	800	18x31.5	ECR2WXS121M □□ 180031
	150	1.1	980	16x50	ECR2WXS151M □□ 160050
	150	1.1	970	18x40	ECR2WXS151M □□ 180040
180	0.9	1090	18x46	ECR2WXS181M □□ 180046	
220	0.7	1220	18x50	ECR2WXS221M □□ 180050	

MINIATURE

Lifetime Diagram

