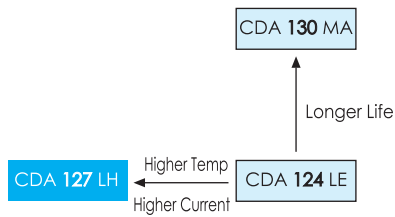


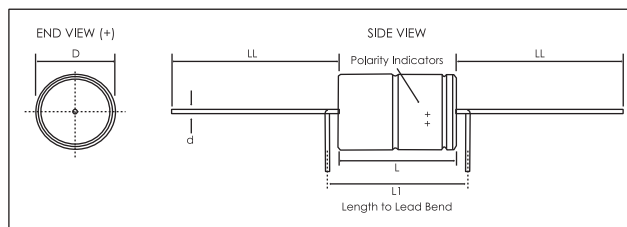
- 1600 hours at +150°C
- High ripple current capability
- Resistance to vibration
- AEC-Q200 automotive qualified, RoHS Compliant



Items	Characteristics		
Operating Temperature Range (°C)	-40 ~ +150		
Voltage Range (V)	25 ~ 63		
Capacitance Range (µF)	33 ~ 1300		
Capacitance Tolerance (20°C,100Hz)	-10/+30%		
Leakage Current (µA)	After 5 minutes at 20°C application of rated voltage, leakage current is not more than 0.003CV+4.0 . C: Nominal Capacitance(µF) V: Rated Voltage(V)		
Equivalent Series Resistance (20°C, 100Hz/100kHz)	Less than values shown in the standard ratings.		
Load Life	Ripple Current: Maximum ripple current specified in the standard ratings. Voltage: The sum of DC voltage and the peak AC voltage must not exceed the rated voltage of capacitor.		
	D(mm)	+125°C Life Time (hours)	+150°C Life Time (hours)
	10 / 13	7000	1600
	Capacitance Change: Within 15% of the initial value. Equivalent Series Resistance: Not more than 200% of the initial value. Leakage Current: Not more than the initial specified value. (All specifications should be test at +20°C Life ambient temperature. )		
Shelf Life	5000 hours at +105°C or 10 years at +40°C 0 VDC		
Vibration Test	Procedure: Displacement amplitude max.1.5mm, acceleration max.20 g, duration 3×2h, frequency range 10 ~ 2000 Hz (capacitor clamped by body). Requirements: No leakage of electrolyte or other visible damage. Deviations in capacitance from initial value must not exceed $\Delta C/C < 5\%$ .		
Standards	IEC 60384-4, AEC-Q200		

AXIAL/CROWN

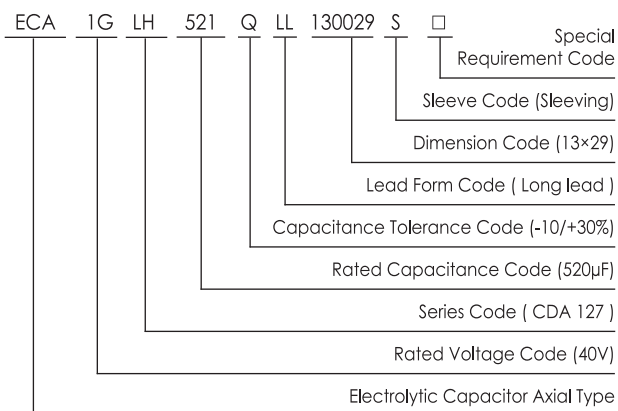
## Dimensions mm



Dimension Code	D	L	L1	d	Bulk LL	Taped LL	Approximate Weight (g)
	±0.5	±1.0	Min.	±0.03	-2/+3	-2/+3	
100020	10	20.0	26.0	0.8	42	31	3
100029	10	29.0	35.0	0.8	42	27	4
130020	13	20.0	26.0	0.8	42	31	4
130029	13	29.0	35.0	0.8	42	27	6
130037	13	37.0	43.0	0.8	42	24	7

Note: L1 is Jianghai's recommendation for minimum distance between symmetrical lead bend.

## Part Number System (Ex:40V520μF)



## Ripple Current Coefficient

Frequency (Hz)	100	300	1K	5K	100K
Coefficient	0.35	0.57	0.80	1.00	1.04

## Ratings for CDA 127 Series

U <sub>r</sub> Code	Rated Capacitance	Max ESR				Max Ripple Current				Size ΦD x L	P/N
	20°C, 100Hz	20°C, 100Hz	20°C, 100kHz	125~150°C, 5~100kHz	100°C, ≥5kHz	125°C, ≥5kHz	140°C, ≥5kHz	150°C, ≥5kHz			
(V)	(μF)	(mΩ)	(mΩ)	(mΩ)	(Arms)	(Arms)	(Arms)	(Arms)	(mm)	-	
25 (1E)	180	560	255	80	2.4	1.7	1.1	0.49	10x20	ECA1ELH181Q □□ 100020	
	360	281	130	43	3.5	2.5	1.6	0.71	10x29	ECA1ELH361Q □□ 100029	
	470	226	110	40	3.8	2.8	1.8	0.79	13x20	ECA1ELH471Q □□ 130020	
	900	118	58	23	5.6	4.0	2.6	1.15	13x29	ECA1ELH901Q □□ 130029	
	1300	85	42	18	6.6	4.8	3.0	1.35	13x37	ECA1ELH132Q □□ 130037	
40 (1G)	110	710	240	82	2.3	1.7	1.1	0.48	10x20	ECA1GLH111Q □□ 100020	
	220	360	125	45	3.4	2.5	1.6	0.70	10x29	ECA1GLH221Q □□ 100029	
	270	301	110	42	3.7	2.7	1.7	0.77	13x20	ECA1GLH271Q □□ 130020	
	520	157	58	24	5.4	3.9	2.5	1.11	13x29	ECA1GLH521Q □□ 130029	
	750	110	42	19	6.5	4.7	3.0	1.32	13x37	ECA1GLH751Q □□ 130037	
63 (1J)	33	1700	370	181	1.6	1.1	0.7	0.32	10x20	ECA1JLH330Q □□ 100020	
	68	825	185	92	2.4	1.7	1.1	0.49	10x29	ECA1JLH680Q □□ 100029	
	80	704	160	82	2.7	1.9	1.2	0.55	13x20	ECA1JLH800Q □□ 130020	
	160	354	82	44	4.0	2.9	1.8	0.83	13x29	ECA1JLH161Q □□ 130029	
	230	250	59	32	4.9	3.5	2.2	1.00	13x37	ECA1JLH231Q □□ 130037	

AXIAL/CROWN